


21700636	<b>DATA SHEET</b>	
Valid from: 07.07.2020	<b>ED-IE-90-6<sub>A</sub>-A-20-FC</b>	

## Product description

- Field mountable Industrial Ethernet RJ45 connector with colour coding according to T568A
- Cable outlet in 4 different 90°-steps modifiable
- Suitable for industrial applications, data centres and home networks



## General properties

Ambient temperature	-40 to +85 °C
Protection degree	IP 20
Outer diameter, cable	5,5 – 10,0 mm
Outer diameter, wire	1,0 – 1,6 mm
Termination cross section, stranded, 7 wires	AWG27/7 – AWG22/7
Termination cross section, solid	AWG24/1 – AWG22/1
Cable outlet, variable	0°, 90°, 180°, 270°

## Mechanical properties

Insertion force	≤ 30 N
Mating cycles	≥ 750
Cable extraction force (assembled connector)	≥ 50 N

## Electrical properties

Contact resistance	≤ 20 mΩ
Insulation resistance	≥ 500 MΩ
Proof voltage, contact-contact	≥ 1000 V, DC
Proof voltage, contact-shield	≥ 1500 V, DC
Current carrying capacity at 50 °C	1 A
Suitable for Power over Ethernet+ acc. to IEEE 802.3at	yes

## Transmission properties

Suitable for 10 Gigabit Ethernet acc. to IEEE 802.3an	yes
Category 6 <sub>A</sub>	ISO/IEC 11801; DIN EN 50173-1
Class E <sub>A</sub>	ISO/IEC 11801; DIN EN 50173-1
Category 6A	ANSI/TIA/EIA-568-C.2


## Materials

Inflammability class in according to UL94	V0
Connector housing, base material	die-cast zinc
Connector housing, surface	Ni
Contacts, surface	Au

## Approvals

UL listed, E-File	DUXR.E353543
-------------------	--------------

Creator: MANA2/PDP	Document: DB21700636EN	Page 1 of 2
Released: IVSE1/PDP	Version: 03	

21700636	<b>DATA SHEET</b>	
Valid from: 07.07.2020	<b>ED-IE-90-6<sub>A</sub>-A-20-FC</b>	

### Standards

Product standard

RJ45 connector acc. to IEC 60603-7-51

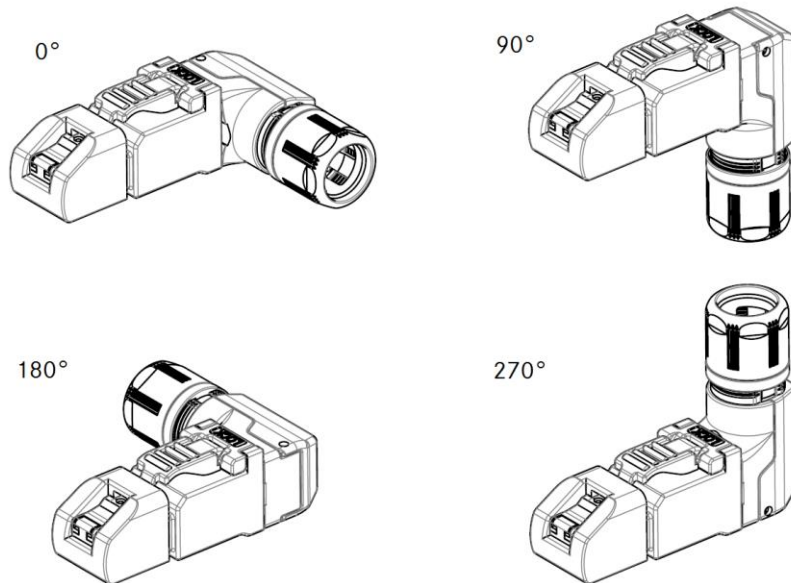
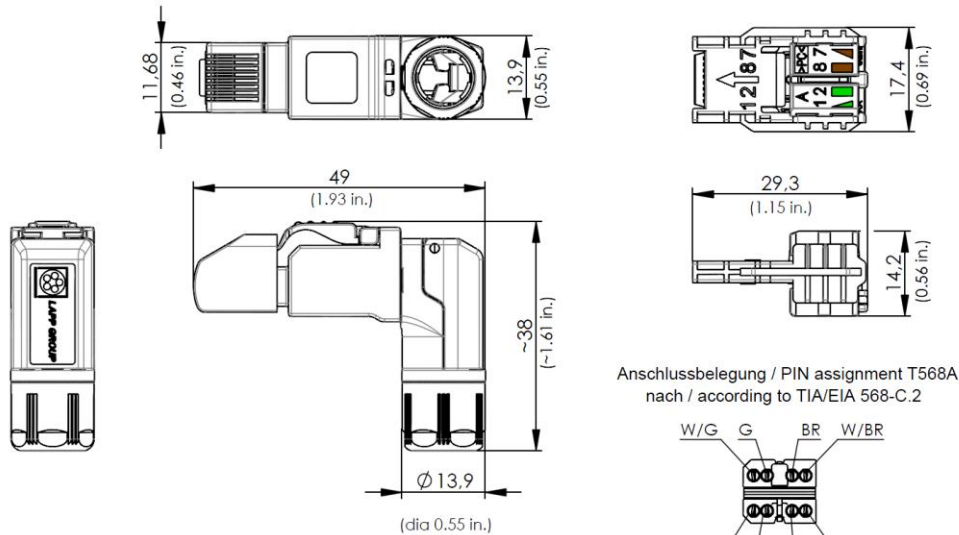
ANSI/TIA/EIA-568-C.2

Generic cable systems

ISO/IEC 11801

DIN EN 50173-1

### Drawings



### Application range

Automation, industrial machinery and plant engineering

### Note

Photographs are not true to scale and do not represent detailed images of the respective products.

Creator: MANA2/PDP Released: IVSE1/PDP	Document: DB21700636EN Version: 03	Page 2 of 2
---	---------------------------------------	-------------