


Part number

CDSHM 18



Male insert, CDSH series, SQUICH® spring terminal connection without tools, 18 poles + PE, 10 A 400 V 6 kV 3, size "57.27"

Product description	
Product type	Insert
Series	CDSH
Connection type	SQUICH® spring terminal connection without tools
Gender	Male
N. of poles	18 poles + 
Size	Size "57.27"

Technical data	
Current	10 A
Voltage	400 V
Rated impulse withstand voltage	6 kV
Pollution degree	3
Rated voltage according to UL/CSA	600 V
Wire cross-section	0,14 mm ² - 2,50 mm ²
AWG size	26 - 14
Contact type	Turned silver plated
IP degree of protection	IP20 without enclosure, IP65/IP66/IP68/IP69 with enclosure

Further technical details	
Mating cycles	≥ 500
Insulation resistance	≥ 10 GΩ
Contact resistance	≤ 3 mΩ
Weight	69,50 g
Operating temperature range (min, max)	-40 °C ... +125 °C
UL 94 flammability rating	V-0

Material properties	
Main material	Polycarbonate (PC)
Other materials	Contacts: copper alloy
Colour	RAL 7032 grey
RoHs conformity	Compliant with exemption 6(c): copper alloy containing up to 4% lead by weight
China RoHs - EFUP	50
REACH SVHC substances	Yes Lead

Approvals / Standards	
Reference standard	EN 61984:2009-06
Certifications	DNV-GL, BV, EAC
UL	ECBT2
cUL	ECBT8

General ordering information	
EAN13 code	8015747222617
eCl@ss 8.1	27440205
ETIM 7.0	EC000438

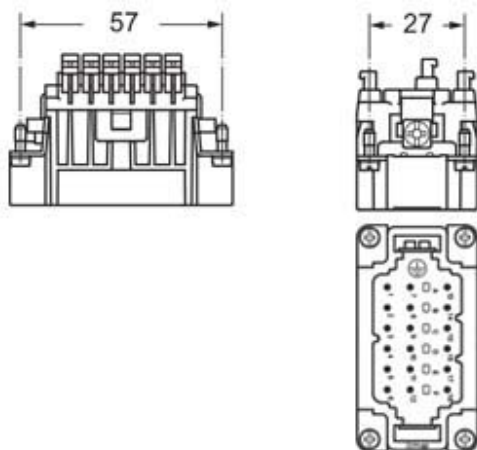
Packaging Information	
Packaging length	245,00 mm
Packaging height	165,00 mm
Packaging width	215,00 mm
Packaging weight	2,62 kg
Packaging volume	8,69 dm ³
Packaging description	Carton box
Packaging quantity	30 Pcs
Packaging EAN code	8015747222778
Sub-packaging length	197,00 mm
Sub-packaging height	55,00 mm
Sub-packaging width	113,00 mm
Sub-packaging weight	0,44 kg
Sub-packaging volume	1,22 dm ³
Sub-packaging description	Carton tray
Sub-packaging quantity	5 Pcs
Sub-packaging EAN barcode	8015747222785

Part number

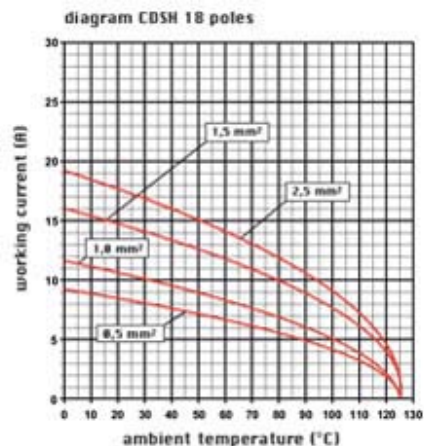
CDSHM 18



Catalogue drawings



Derating curves



Notes

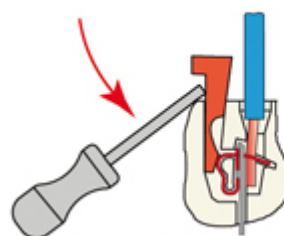
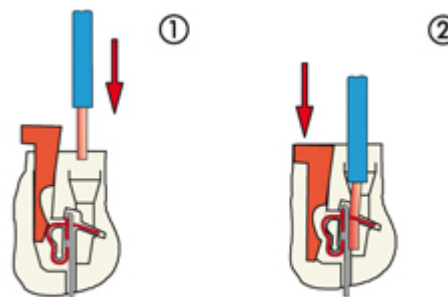
Dimensions shown in mm are not binding and may be changed without notice.

California Proposition 65 Information



WARNING

This product can expose you to lead and its compounds, known to the State of California to cause cancer and/or reproductive toxicity. For more information go to www.P65Warnings.ca.gov.



3x0,5 mm

SQUICH® connection with actuator button

Reopening