

Part number  
**CGK I**



Bulkhead mounting housing, IP68 series, for 2 screws, size "21.21"

**Product description**

<b>Product type</b>	Bulkhead mounting housing
<b>Series</b>	IP68
<b>Closing type</b>	With 2 screws
<b>Size</b>	Size "21.21"
<b>Cable entry</b>	Without cable entry

**Technical data**

<b>IP degree of protection</b>	IP66 / IP68 / IP69
--------------------------------	--------------------

**Further technical details**

<b>Weight</b>	55,00 g
<b>Operating temperature range (min, max)</b>	-40°C...+125°C

**Material properties**

<b>Main material</b>	Aluminium die-cast
<b>Other materials</b>	Gasket: NBR
<b>Colour</b>	RAL 9005 black
<b>RoHs conformity</b>	Compliant
<b>China RoHs - EFUP</b>	E
<b>REACH SVHC substances</b>	No

**Approvals / Standards**

<b>Certifications</b>	DNV, BV
<b>UL</b>	ECBT2
<b>cUL</b>	ECBT8

**General ordering information**

<b>EAN13 code</b>	8015747189859
<b>eCl@ss 8.1</b>	27440202
<b>ETIM 7.0</b>	EC000437

**Packaging Information**

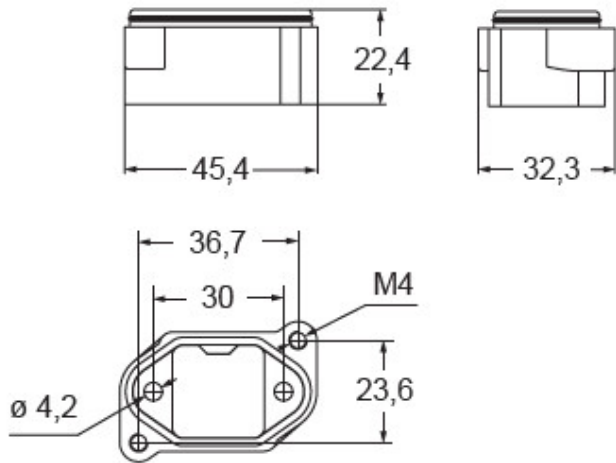
<b>Packaging length</b>	112,00 mm
<b>Packaging height</b>	95,00 mm
<b>Packaging width</b>	117,00 mm
<b>Packaging weight</b>	0,60 kg
<b>Packaging volume</b>	1,24 dm <sup>3</sup>
<b>Packaging description</b>	Carton box
<b>Packaging quantity</b>	10 Pcs
<b>Packaging EAN code</b>	8015747189866
<b>Sub-packaging weight</b>	0,06 kg
<b>Sub-packaging description</b>	Plastic bag
<b>Sub-packaging quantity</b>	1 Pcs
<b>Sub-packaging EAN barcode</b>	8015747189873

Part number

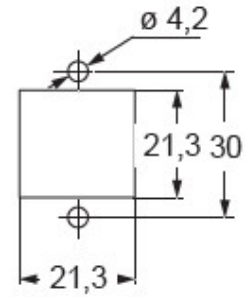
# CGK I



Catalogue drawings



Catalogue drawings



## Notes

Dimensions shown in mm are not binding and may be changed without notice.