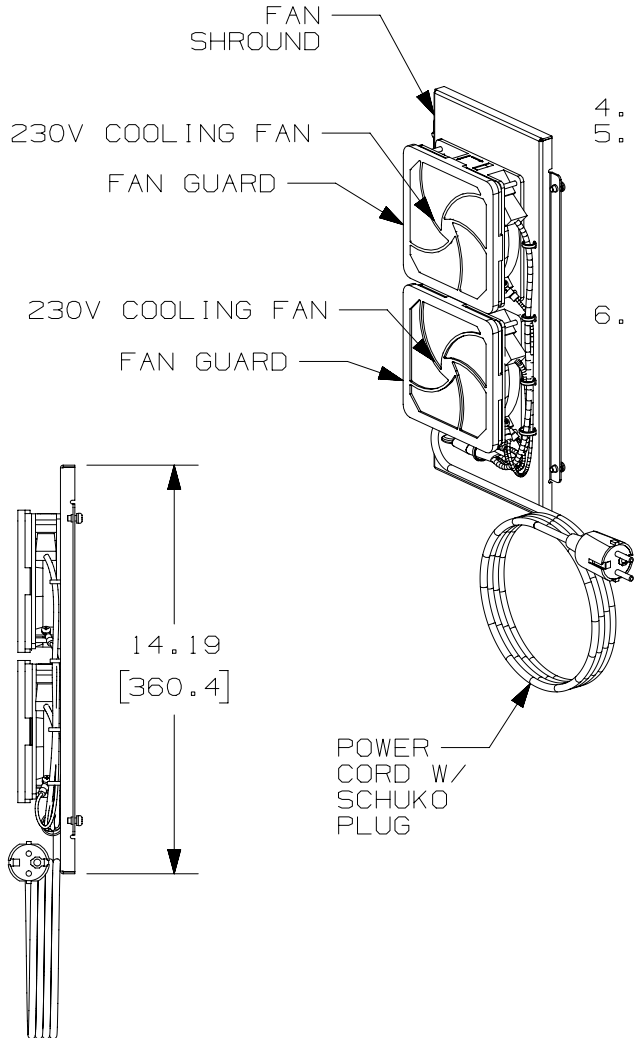
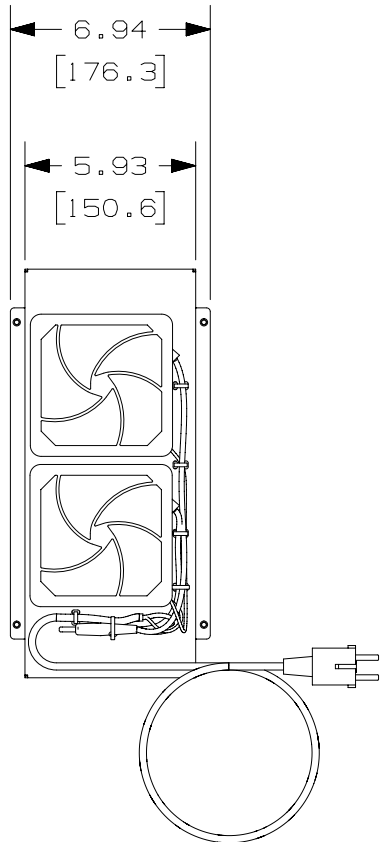
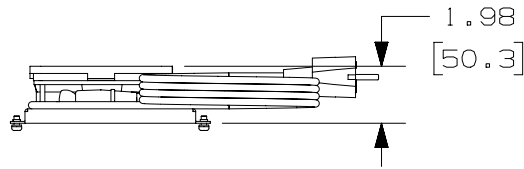


THIS COPY IS PROVIDED ON A RESTRICTED BASIS AND IS NOT TO BE USED IN ANY WAY DETRIMENTAL TO THE INTERESTS OF PANDUIT CORP.



NOTES:

- VISIT OUR ON-LINE CATALOG AT WWW.PANDUIT.COM FOR A LIST OF CURRENT PARTS APPLICABLE FOR USE WITH THIS PRODUCT.
- DIMENSIONS IN ( ) ARE METRIC.
- ALL MATERIALS AND COMPONENTS USED MEET THE MATERIAL RESTRICTIONS OF RoHS (EUROPEAN DIRECTIVE 2011/65/EU ON THE RESTRICTION OF HAZARDOUS SUBSTANCES) AS PROPOSED BY THE RoHS TECHNICAL ADAPTATION COMMITTEE.
- WEIGHT: 3.5 LB [ 1.59 Kg ]
- PART INCLUDES:
  - (2) AC AXIAL FAN
  - (1) FAN SHROUD
  - (2) FAN GUARD
  - (1) 6FT LONG POWER CORD WITH SCHUKO PLUG
  - (1) HARDWARE KIT
- FAN RATING:
  - VOLTAGE - 230V AC
  - CFM - 61 CFM (122 TOTAL CFM)
  - CE MARKED FOR EU LVD

PART NUMBER		PZWMCFKHF-E		
TITLE		PAN ZONE CABINET HIGH FLOW FAN KIT 230V WITH SCHUKO PLUG CUSTOMER DRAWING		
ITEM REVISION NAME		00198EAU/00		
DATASET FILE NAME		00198EAU_DC/00A		
MATERIAL		STEEL HOUSING & FAN ASSEMBLY		
DRAWING NUMBER		00198EAU-DC		
DRAWN BY		DATE	CHK	SCALE
T WV		12-13-18	KZU	NONE
REV		SHEET 1 OF 1		SIZE
00A				A

A-SIZE CUSTOMER

00A	12-13-18	T WV	KZU	MINO	INITIAL RELEASE	00198EAU-DC
REV	DATE	BY	CHK	APR	DESCRIPTION	ECN