

Product Environmental Profile

Patch Cord Linkeo C Category C6 FUTP PVC LIGHT BLUE 5 METERS



LEGRAND'S ENVIRONMENTAL COMMITMENTS

• Incorporate environmental management into our industrial sites

Of all Legrand sites worldwide, over 85% are ISO 14001-certified (sites belonging to the Group for more than five years).

• Offer our customers environmentally friendly solutions

Develop innovative solutions to help our customers design more energy efficient, better managed and more environmentally friendly installations.

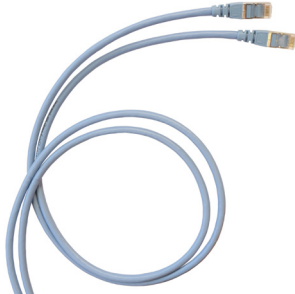
• Involve the environment in product design and provide informations in compliance with ISO 14025

Reduce the environmental impact of products over their whole life cycle.

Provide our customers with all relevant information (composition, consumption, end of life, etc.).



REFERENCE PRODUCT

<p>Function</p>	<p>Transmit a communication signal on 1 m according to Ethernet 1G - BP = 250 MHz protocol, Cat. 6 category, during 10 years and a 25% use rate in accordance with the standards in force. Lifetime and use rate match the Building - LAN : Commercial application defined in the table given in annex 1 of the wires, cables and accessories specific rules..</p>
<p>Reference Product</p>	
<p>Cat.No 632877</p>	
<p>Patch Cord Linkeo C Category C6 FUTP PVC LIGHT BLUE 5 METERS.</p>	

The company reserves the right to change specifications and designs without notice. All illustrations, descriptions, dimensions and weights in the document are for guidance and cannot be held binding on the company.



PRODUCTS CONCERNED

The environmental data is representative of the following products:

<p>Catalogue Numbers</p>
<p>• 632765 - 632766 - 632767 - 632768 - 632769 - 632860 - 632861 - 632862 - 632863 - 632864 - 632865 - 632866 - 632867 - 632868 - 632874 - 632875 - 632876</p>

Product Environmental Profile

Patch Cord Linkeo C Category C6 FUTP PVC
LIGHT BLUE 5 METERS



CONSTITUENT MATERIALS

This Reference Product contains no substances prohibited by the regulations applicable at the time of its introduction to the market. It respects the restrictions on use of hazardous substances as defined in the RoHS directive 2011/65/EU amended by delegated directive (EU) 2015/863, and its amendment 2017/2102/EU.

Total weight of Reference Product	270 g (all packaging included)				
Plastics as % of weight		Metals as % of weight		Other as % of weight	
PVC	31.4%	Copper alloys	15.8%		
PE	13.3%	Al	2.8%		
Other plastics	2.1%	Other metals	0.2%		
PC	1.0%	Steel	<0.1%		
Packaging as % of weight					
PE	<0.1%			Wood	23.2%
				Paper	10.2%
Total plastics	47.8%	Total metals	18.8%	Total others	33.4%

Estimated recycled material content: 13% by mass.



MANUFACTURE

This Reference Product comes from sites that have received ISO14001 certification.



DISTRIBUTION

Products are distributed from logistics centres located with a view to optimize transport efficiency. The Reference Product is therefore transported over an average distance of 1406 km by road and 9 km by sea (average ponderate by type of transport of worldwide distribution) from our warehouse to the local point of distribution into the market all around the world.

Packaging is compliant with applicable regulation. At their end of life, its recyclability rate is 97% (in % of packaging weight).



INSTALLATION

For the installation of the product, only standard tools are needed.



USE

Under normal conditions of use, this product requires no servicing, no maintenance or additional products.

Product Environmental Profile

Patch Cord Linkeo C Category C6 FUTP PVC
LIGHT BLUE 5 METERS



END OF LIFE

The product end of life factors are taken into account during the design phase. Dismantling and sorting of components or materials is made as easy as possible with a view to recycling or failing that, another form of reuse.

• Recyclability rate:

Calculated using the method described in technical report IEC/TR 62635, the recyclability rate of the product is estimated at 94%. This value is based on data collected from a technological channel operating on an industrial basis. It does not pre-validate the effective use of this channel for the end of life of this product.

Separated into:

- plastic materials (excluding packaging) : 43%
- metal materials (excluding packaging) : 19%
- other materials (excluding packaging) : 0%
- packaging (all types of materials) : 32%



ENVIRONMENTAL IMPACTS

The evaluation of environmental impacts examines the stages of the Reference Product life cycle: manufacturing, distribution, installation, use and end of life. It is representative from worldwide marketed products.

For each phase, the following modelling elements were taken in account:

Unless otherwise specified, the energy models are those integrated in the modules used from the EIME database	
Manufacture	Materials and components of the product, all transport for the manufacturing, the packaging and the waste generated by the manufacturing.
Distribution	Transport between the last Group distribution centre and an average delivery point in the sales area.
Installation	The end of life of the packaging.
Use	<ul style="list-style-type: none"> • Product category: No relevant PSR for the Functional Unit. Based on PSR-0001-ed3-EN2015 10 16 for cable part and PSR-0005-ed2-EN-2016 03 29 for connectors. • Use scenario: 10 years working life operating 25% of the time, according to the LAN - tertiary (commercial) application bases on Annex 1 of PSR0001. Cable losses based on PSR0001 and the energy losses through the connectors is calculated according to PSR0005 for RJ45 Balanced Connectors. This modelling duration does not constitute a minimum durability requirement. As no EIME module exists for Worldwide Electricity mix, China Module is used». • Energy model: Electricity Mix; China - 2009.
End of life	<ul style="list-style-type: none"> According to PSR-0001-ed3-FR-2015 10 16 _ section 4.2.3, • Transportation, assuming a local transport • A stage of grinding / separation of metals and plastics, • Recycling of 100% of metals, linked to the economic value of these materials, • Landfilling of other materials.
Software and database used	EIME & database CODDE-2018-11

Product Environmental Profile

Patch Cord Linkeo C Category C6 FUTP PVC
LIGHT BLUE 5 METERS



SELECTION OF ENVIRONMENTAL IMPACTS

	Total for Life cycle		Raw material and manufacture		Distribution		Installation		Use		End of life	
Global warming	2.23E-01	kgCO₂ eq.	1.35E-01	60%	4.40E-03	2%	9.65E-04	< 1%	4.56E-02	20%	3.73E-02	17%
Ozone depletion	2.70E-08	kgCFC-11 eq.	2.52E-08	93%	8.92E-12	< 1%	3.60E-12	< 1%	3.63E-10	1%	1.39E-09	5%
Acidification of soils and water	4.77E-04	kgSO₂ eq.	3.67E-04	77%	2.00E-05	4%	4.48E-06	< 1%	4.94E-05	10%	3.65E-05	8%
Water eutrophication	1.40E-04	kg(PO₄)³⁻ eq.	9.70E-05	69%	4.56E-06	3%	2.45E-06	2%	1.31E-05	9%	2.31E-05	17%
Photochemical ozone formation	4.06E-05	kgC₂H₄ eq.	2.96E-05	73%	1.42E-06	3%	3.17E-07	< 1%	5.84E-06	14%	3.48E-06	9%
Depletion of abiotic resources - elements	3.36E-04	kgSb eq.	3.36E-04	100%	1.76E-10	< 1%	3.98E-11	< 1%	2.00E-10	< 1%	9.16E-10	< 1%
Total use of primary energy	3.28E+00	MJ	2.25E+00	69%	6.23E-02	2%	1.35E-02	< 1%	7.47E-01	23%	2.02E-01	6%
Net use of fresh water	2.32E-02	m³	2.31E-02	100%	3.94E-07	< 1%	1.63E-07	< 1%	5.09E-05	< 1%	3.35E-05	< 1%
Depletion of abiotic resources - fossil fuels	1.98E+00	MJ	1.08E+00	55%	6.19E-02	3%	1.33E-02	< 1%	6.89E-01	35%	1.29E-01	7%
Water pollution	6.34E+01	m³	2.08E+01	33%	7.24E-01	1%	1.55E-01	< 1%	2.27E+00	4%	3.94E+01	62%
Air pollution	7.08E+01	m³	6.47E+01	91%	1.81E-01	< 1%	6.88E-02	< 1%	4.73E+00	7%	1.21E+00	2%

The values of the 27 impacts defined in the PCR-ed3-EN-2015 04 02 are available in the digital database of pep-ecopassport.org website.

Product Environmental Profile

Patch Cord Linkeo C Category C6 FUTP PVC LIGHT BLUE 5 METERS



For all products concerned (see § «products concerned»), take these impacts values.

The reference product : 632877						
PATCH CORD CAT 6 F/UTP PVC LIGHT BLUE 5 METERS						
Coefficient of extrapolation of environmental indicators						
Associated References	Manufacturing	Distribution	Installation	Use	End of life	
632876 PATCH CORD CAT 6 F/UTP PVC LIGHT BLUE 3 METERS	GWP	1.2	1.7	1.7	1.3	1.2
	ODP					
	A					
	EP					
	POCP					
	ADPe					
	PE					
	FW					
	ADPF					
	WP					
	AP					
632875 PATCH CORD CAT 6 F/UTP PVC LIGHT BLUE 2 METERS	GWP	1.4	2.5	2.5	1.7	1.5
	ODP					
	A					
	EP					
	POCP					
	ADPe					
	PE					
	FW					
	ADPF					
	WP					
	AP					
632874 PATCH CORD CAT 6 F/UTP PVC LIGHT BLUE 1 METER	GWP	2.0	5.0	2.8	2.8	2.2
	ODP					
	A					
	EP					
	POCP					
	ADPe					
	PE					
	FW					
	ADPF					
	WP					
	AP					
632868 PATCH CORD CAT 6 U/UTP PVC LIGHT BLUE 5 METERS	GWP	0.8	1.0	1.0	1.0	0.9
	ODP					
	A					
	EP					
	POCP					
	ADPe					
	PE					
	FW					
	ADPF					
	WP					
	AP					
632867 PATCH CORD CAT 6 U/UTP PVC LIGHT BLUE 3 METERS	GWP	1.0	1.7	1.7	1.3	1.1
	ODP					
	A					
	EP					
	POCP					
	ADPe					
	PE					
	FW					
	ADPF					
	WP					
	AP					
632866 PATCH CORD CAT 6 U/UTP PVC LIGHT BLUE 2 METERS	GWP	1.2	2.5	2.5	1.7	1.4
	ODP					
	A					
	EP					
	POCP					
	ADPe					
	PE					
	FW					
	ADPF					
	WP					
	AP					
632865 PATCH CORD CAT 6 U/UTP PVC LIGHT BLUE 1.5 METER	GWP	1.4	3.3	3.3	2.0	1.6
	ODP					
	A					
	EP					
	POCP					
	ADPe					
	PE					
	FW					
	ADPF					
	WP					
	AP					
632864 PATCH CORD CAT 6 U/UTP PVC LIGHT BLUE 1 METER	GWP	1.7	5.0	2.8	2.8	2.1
	ODP					
	A					
	EP					
	POCP					
	ADPe					
	PE					
	FW					
	ADPF					
	WP					
	AP					
632863 PATCH CORD CAT 5E F/UTP PVC LIGHT BROWN 5 METERS	GWP	1.0	1.0	1.0	1.0	1.0
	ODP					
	A					
	EP					
	POCP					
	ADPe					
	PE					
	FW					
	ADPF					
	WP					
	AP					

Coefficient of extrapolation of environmental indicators						
Associated References	Manufacturing	Distribution	Installation	Use	End of life	
632861 PATCH CORD CAT 5E F/UTP PVC LIGHT BROWN 2 METERS	GWP	1.3	2.5	2.5	1.7	1.4
	ODP					
	A					
	EP					
	POCP					
	ADPe					
	PE					
	FW					
	ADPF					
	WP					
	AP					
632860 PATCH CORD CAT 5E F/UTP PVC LIGHT BROWN 1 METER	GWP	2.0	5.0	5.0	2.8	2.2
	ODP					
	A					
	EP					
	POCP					
	ADPe					
	PE					
	FW					
	ADPF					
	WP					
	AP					
632769 PATCH CORD CAT 5E U/UTP PVC LIGHT PINK 5 METERS	GWP	0.8	1.0	1.0	1.0	0.9
	ODP					
	A					
	EP					
	POCP					
	ADPe					
	PE					
	FW					
	ADPF					
	WP					
	AP					
632768 PATCH CORD CAT 5E U/UTP PVC LIGHT PINK 3 METERS	GWP	1.0	1.7	1.7	1.3	1.1
	ODP					
	A					
	EP					
	POCP					
	ADPe					
	PE					
	FW					
	ADPF					
	WP					
	AP					
632767 PATCH CORD CAT 5E U/UTP PVC LIGHT PINK 2 METERS	GWP	1.2	2.5	2.5	1.7	1.3
	ODP					
	A					
	EP					
	POCP					
	ADPe					
	PE					
	FW					
	ADPF					
	WP					
	AP					
632766 PATCH CORD CAT 5E U/UTP PVC LIGHT PINK 1.5 METER	GWP	1.4	3.3	3.3	2.0	1.6
	ODP					
	A					
	EP					
	POCP					
	ADPe					
	PE					
	FW					
	ADPF					
	WP					
	AP					
632765 PATCH CORD CAT 5E U/UTP PVC LIGHT PINK 1 METER	GWP	1.7	5.0	4.1	2.8	2.1
	ODP					
	A					
	EP					
	POCP					
	ADPe					
	PE					
	FW					
	ADPF					
	WP					
	AP					
632862 PATCH CORD CAT 5E F/UTP PVC LIGHT BROWN 3 METERS	GWP	1.1	1.7	1.7	1.3	1.2
	ODP					
	A					
	EP					
	POCP					
	ADPe					
	PE					
	FW					
	ADPF					
	WP					
	AP					

Contact Legrand if you have any questions regarding the calculation of coefficients for impacts others than those presented in this PEP

Product Environmental Profile

Patch Cord Linkeo C Category C6 FUTP PVC
LIGHT BLUE 5 METERS



Registration number: LGRP-01502-V01.01-EN	Drafting rules: PEP-PCR-ed3-EN-2015 04 02 Supplemented by PSR-0001-ed3-2015 10 16
Verifier accreditation N°: VH18	Information and reference documents: www.pep-ecopassport.org
Date of issue: 04-2022	Validity period: 5 years
Independent verification of the declaration and data, in compliance with ISO 14025 : 2010 Internal <input type="checkbox"/> External <input checked="" type="checkbox"/>	
The PCR review was conducted by a panel of experts chaired by Philippe Osset (SOLINNEN)	
PEP are compliant with XP C08-100-1 : 2016 The elements of the present PEP cannot be compared with elements from another program	
Document in compliance with ISO 14025 : 2010: «Environmental labels and declarations. Type III environmental declarations»	
Environmental data in alignment with EN 15804: 2012 + A1 : 2013	