


Part number

CQEYF 10



Female insert, CQEY series, AXYR® spring push-in terminal connection without tools, 10 poles + PE, 16 A 500 V 6 kV 3, size "44.27"

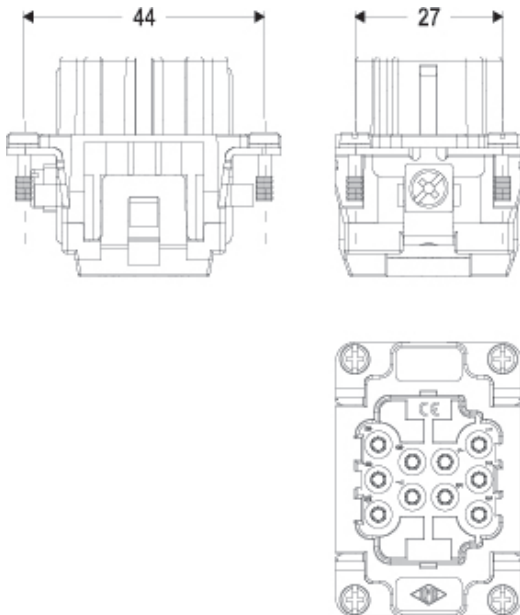
Product description		Material properties	
Product type	Insert	Main material	Polycarbonate (PC)
Series	CQEY	Other materials	Contacts: copper alloy
Connection type	AXYR® high density spring terminal connection without tools	Colour	RAL 7032 grey
Gender	Female	RoHs conformity	Compliant with exemption 6(c): copper alloy containing up to 4% lead by weight
N. of poles	10 poles + 	China RoHs - EFUP	50
Size	Size 44.27	REACH SVHC substances	Yes Lead
Technical data		General ordering information	
Current	16 A	EAN13 code	8015747292962
Voltage	500 V	eCl@ss 8.1	27440205
Rated impulse withstand voltage	6 kV	ETIM 7.0	EC000438
Pollution degree	3	Packaging Information	
Rated voltage according to UL/CSA	600 V	Packaging length	270,00 mm
Contact type	Turned silver plated	Packaging height	75,00 mm
IP degree of protection	IP20 without enclosure, IP44/IP66/IP67/IP68/IP69 with enclosure	Packaging width	180,00 mm
Further technical details		Packaging volume	3,65 dm ³
Characteristics according to EN 61984	16 A 500 V 6 kV 3	Packaging description	Carton box
Mating cycles	≥ 500	Packaging quantity	60 Pcs
Insulation resistance	≥ 10 GΩ	Packaging EAN code	8015747292979
Contact resistance	≤ 3 mΩ	Sub-packaging description	Plastic bag
Weight	0,17 g	Sub-packaging quantity	1 Pcs
Operating temperature range (min, max)	-40 °C ... +125 °C	Sub-packaging EAN barcode	8015747293631
Conductors stripping length	9...11 mm		
UL 94 flammability rating	V-0		

Part number

CQEYF 10

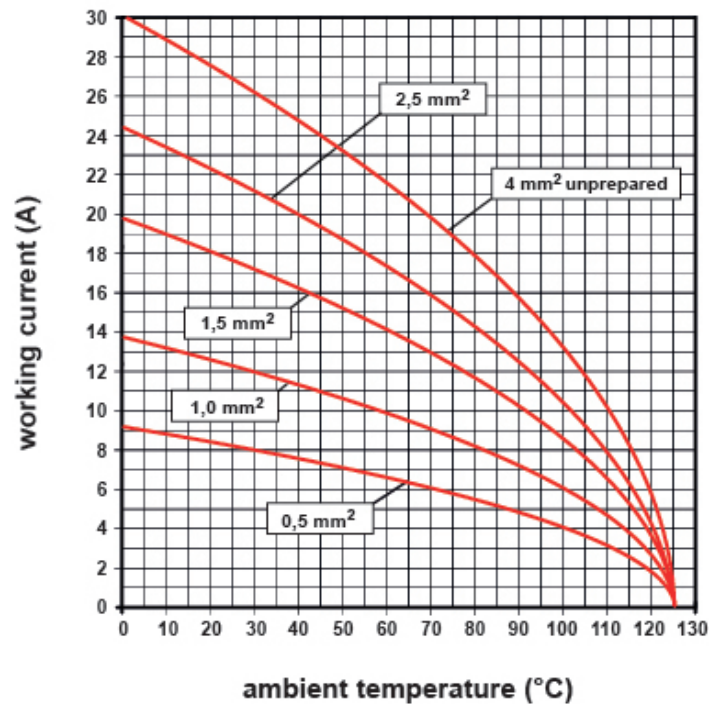


Catalogue drawings



Derating curves

CQEY 10 poles connector inserts
Maximum current load derating diagram



Notes