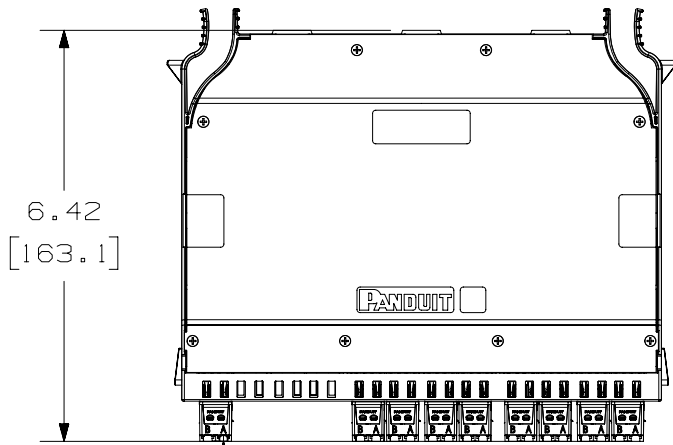


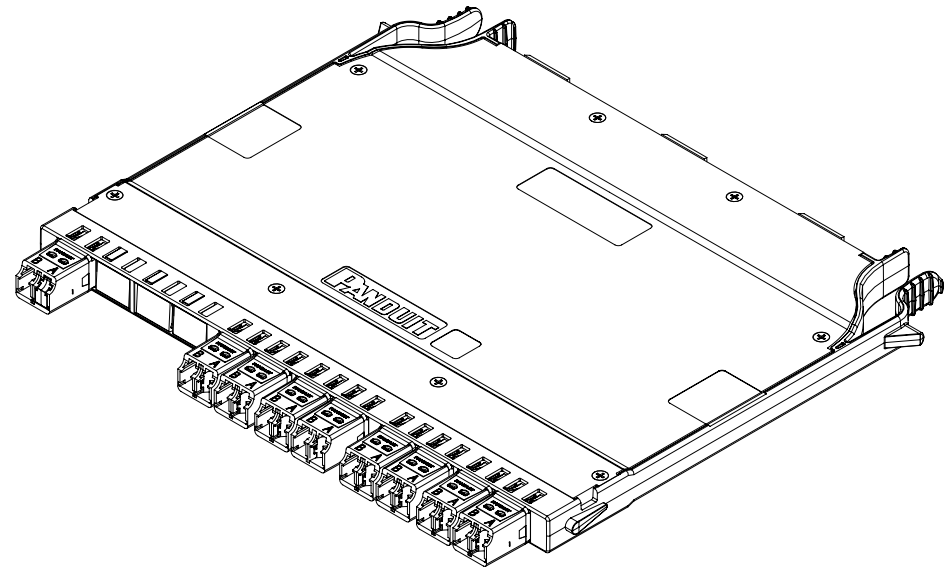
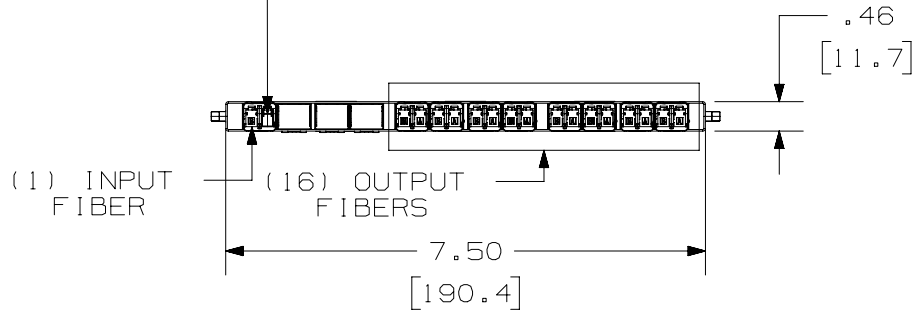
THIS COPY IS PROVIDED ON A RESTRICTED BASIS AND IS NOT TO BE USED IN ANY WAY DETRIMENTAL TO THE INTERESTS OF PANDUIT CORP.



NOTES:

1. VISIT OUR ON-LINE CATALOG AT WWW.PANDUIT.COM FOR A LIST OF CURRENT PARTS APPLICABLE FOR USE WITH THIS PRODUCT.
2. DIMENSIONS IN [] ARE METRIC.
3. ALL MATERIALS AND COMPONENTS USED MEET THE MATERIAL RESTRICTIONS OF RoHS (EUROPEAN DIRECTIVE 2011/65/EU ON THE RESTRICTION OF HAZARDOUS SUBSTANCES) AS PROPOSED BY THE RoHS TECHNICAL ADAPTATION COMMITTEE.
4. MATERIAL AND COLOR:
CASSETTE BODY: BLACK PLASTIC
ADAPTERS: APC GREEN

"A" PORT OF ADAPTER WILL BE BLOCKED



PART NUMBER	DESCRIPTION	MAXIMUM IL (1260-1650nm)	MAXIMUM IL UNIFORMITY	MINIMUM RL
FHP9N-LA1X16	HD Flex PON Splitter Cassette, 1x16, Double Wide, LC/APC to LC/APC	14.2 dB	1.5 dB	55 dB

TITLE HD Flex PON Splitter Cassette, 1x16, Double Wide, LC/APC to LC/APC CUSTOMER DRAWING				
ITEM REVISION NAME 00801EAB/01		PANDUIT		
DATASET FILE NAME 00801EAB_DC/01A				
MATERIAL N/A		DRAWING NUMBER 00801EAB-DC		
DRAWN BY SAT		DATE 01/07/2021	CHK BJBE	SCALE NONE
REV		DATE	BY	CHK
01A		02-09-21	SAT	BJBE
DESCRIPTION		INITIAL RELEASE		
ECN		SHEET 1 OF 1		
		A		

A-SIZE CUSTOMER