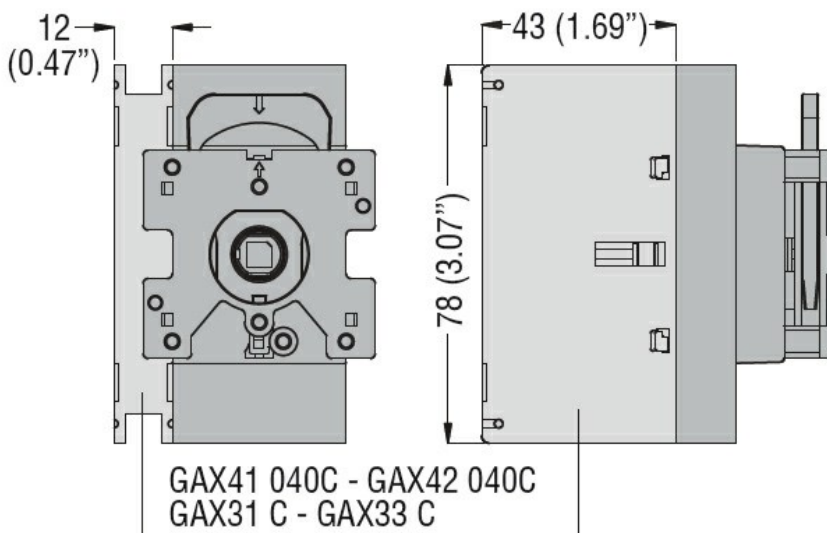




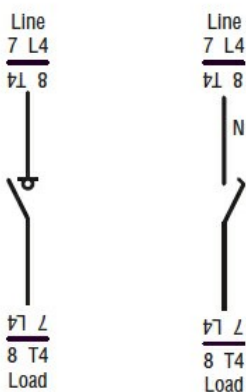
|   |     |         |
|---|-----|---------|
| Number of poles   | Nr. | 1       |
| Operating voltage type                                    |     | AC      |
| <b>Contact characteristics</b>                            |     |         |
| IEC Conventional free air thermal current I <sub>th</sub> | A   | 40      |
| <b>Mechanical features</b>                                |     |         |
| Tightening torque for terminals                           | min | Nm 1.8  |
|   | max | Nm 2    |
|   | min | lbin 16 |
|   | max | lbin 18 |

**Dimensions**



**Wiring diagrams**

Fourth pole add on  
GAX42...      GAX41...



**Certifications and compliance**

Compliance

CSA C22.2

IEC/EN 60947-1

IEC/EN 60947-3

UL508

UL98

Certifications

CCC

CSA C22.2 n°14

cULus according to UL508

EAC

ETIM classification

ETIM 8.0

EC002498 -  
Accessories/spare  
parts for low-  
voltage switch  
technology