

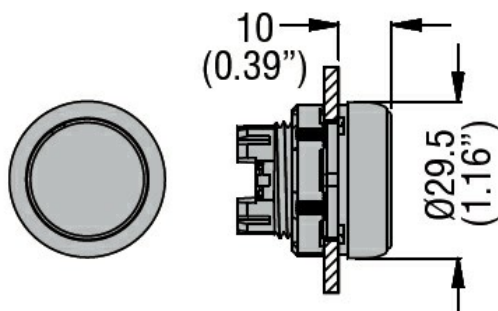


Product designation	Push-push button actuators		
Product type designation	LPCQ20		
<b>General characteristics</b>			
Colour	White		
Type of positions	Extended pushbutton. Push on-push off		
Material	Polyamide		
IEC degree of protection	IP66, IP67 and IP69K		
<b>Mechanical features</b>			
Operating force	kg-lb	<0.5Kg / 1.1lb	
Mechanical life - Push-Push actuators	cycles	500000	
Fixing	Without mounting adapter		
Mounting adapter	LPXC10A (1EM) / LPXC01 (1NC)		
Weight	g	27	
<b>UL technical data</b>			
UL degree of protection	Type1, 2, 3R, 4, 4X, 12, 12K		

**Ambient conditions**

Temperature			
Operating temperature			
	min	°C	-25
	max	°C	+70
Storage temperature			
	min	°C	-40
	max	°C	+85

**Dimensions**



**Certifications and compliance**

Compliance

CSA C22.2 n° 14  
IEC/EN/BS 60947-1

---

IEC/EN/BS 60947-5-1

---

UL508

---

Certificates

---

CCC

---

cULus

---

EAC

---

RINA

---

ETIM classification

ETIM 8.0

EC000221 -  
Front element for  
push button