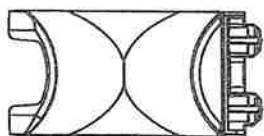
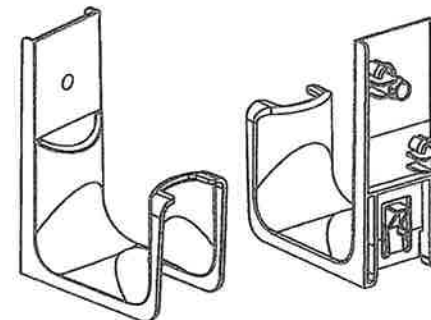
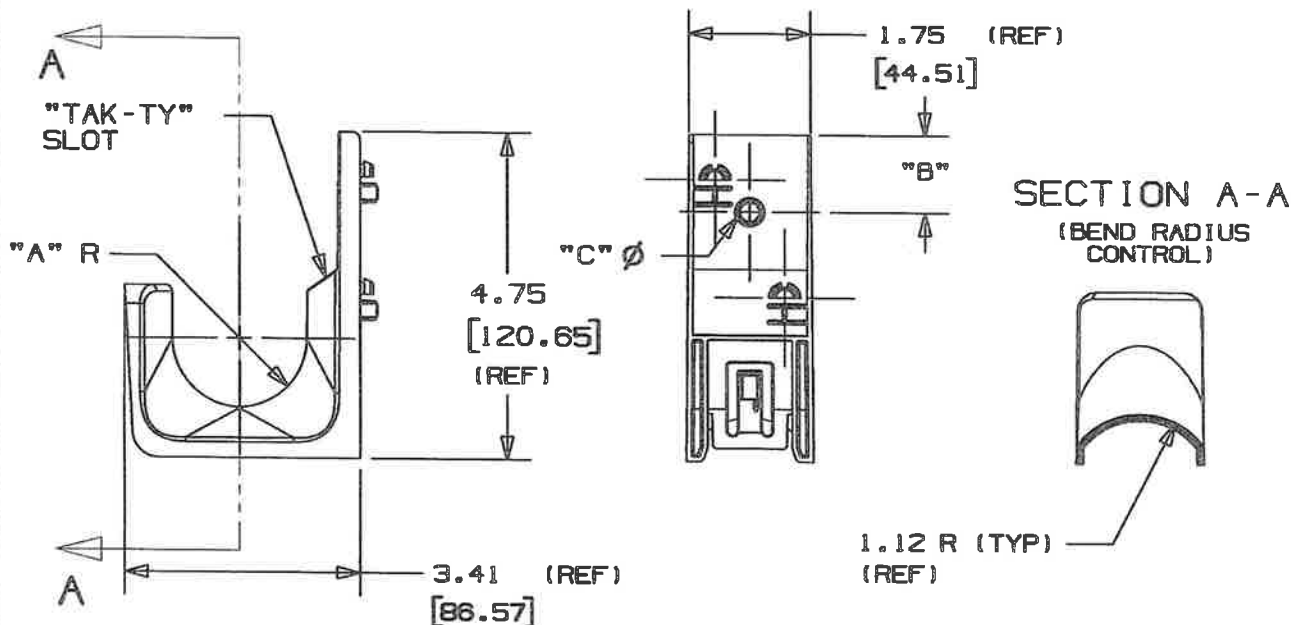


THIS COPY IS PROVIDED ON A RESTRICTED BASIS AND IS NOT TO BE USED IN ANY WAY DETRIMENTAL TO THE INTERESTS OF PANDUIT CORP.



PANDUIT PART NO. *	DIMENSIONS			PRODUCT WORKS WITH PANDUIT PART NUMBERS	WEIGHT lbs. / 10 (g) / 10 pcs.
	"A" (REF)	"B" (REF)	"C"		
JMJH2-___	1.00 (25.4)	1.125 (28.57)	0.280 (7.11)	JMCMB25-1, JMCMB25-3, JMCSB (SEE NOTE 4)	1.01 (456.86)



NOTES:

- SEE CURRENT PRICE SHEET FOR PART NUMBER SUFFIX DESIGNATION FOR PACKAGE SIZE AND PRODUCT COLOR.
- PRODUCT IS DESIGNED TO SUPPORT A MAXIMUM 2.0" DIAMETER BUNDLE. RECOMMENDED MAXIMUM STATIC LOAD: 30.0 lbs.
- PRODUCT INCORPORATE FEATURES ALLOWING USER TO SECURE CABLE BUNDLES IN JMOD PRODUCT WITH "TAK-TY" CABLE TIES UP TO 3/4" WIDE.
- JMJH2 INCORPORATES FEATURES THAT ALLOW FOR RAPID INSTALLATION TO THE FOLLOWING PANDUIT ACCESSORIES FOR A VARIETY OF MOUNTING CONFIGURATIONS:
 - JMCMB25-1 (CABLE MANAGEMENT ANGLE BRACKET-SINGLE LEVEL) (RIVET ASSEMBLIES AVAILABLE FOR A VARIETY OF APPLICATIONS)
 - JMCMB25-3 (CABLE MANAGEMENT ANGLE BRACKET-THREE LEVEL) (RIVET ASSEMBLIES AVAILABLE FOR A VARIETY OF APPLICATIONS)
 - JMCSB (CABLE MANAGEMENT CHAINING BRACKET EXTENDER) (DEVICE IS USED TO ADD UP-TO 2 ADDITIONAL LEVELS OF CABLE MANAGEMENT TO JMCMB25-1)

DIMENSIONS IN BRACKETS ARE METRIC [mm]	
CAD FILENAME/LAYER:	G02672DC_PB_JMJH2_01
PANDUIT CORP. TINLEY PARK, ILLINOIS	
(JMJH2-___) JMOD J HOOK	
UNLESS OTHERWISE SPECIFIED, DIMENSIONAL TOLERANCES ARE: (.X) ±0.05 (1.3) (.XXX) ±0.010 (0.25) (.XX) ±0.02 (0.5) ANGLES ± 5°	UNLESS OTHERWISE SPECIFIED, ALL DIMENSIONS ARE GIVEN IN INCHES, THIRD ANGLE PROJECTION.
DRAWN BY JAD	MAT'L: NYLON 6/6
DATE 4/1/03	SCALE NONE
CHK'D [Signature]	DRAWING NO. GB2672DC
	SIZE A

REV	DATE	BY	CHK	DESCRIPTION	ECN	R	CUST	SUP
1	8/11/04	JAD	[Signature]	REMOVE TAK-TY SLOTS IN CABLE BED AREA	682872DC	1	[Signature]	
R	4/1/03	JAD		INITIAL RELEASE	682872DC	R		