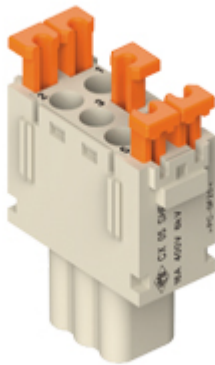


Part number

CX 05 SHF



Female modular insert, Mixo series, SQUICH® spring terminal connection without tools, 5 poles, 1 module, 16 A 400 V 6 kV 3

Product description

Product type	Modular insert
Series	Mixo
Connection type	SQUICH® spring terminal connection without tools
Gender	Female
N. of poles	5 poles
Size	1 module

Technical data

Current	16 A
Voltage	400 V
Rated impulse withstand voltage	6 kV
Pollution degree	3
Rated voltage according to UL/CSA	600 V
Wire cross-section	0,14 mm ² - 2,50 mm ²
AWG size	26 - 14
Contact type	Turned silver plated
IP degree of protection	IP20 without enclosure, IP65/IP66/IP68/IP69 with enclosure

Further technical details

Characteristics according to EN 61984	16 A 400 V 6 kV 3
Mating cycles	≥ 500
Insulation resistance	≥ 10 GΩ
Contact resistance	≤ 3 mΩ
Weight	18,00 g
Operating temperature range (min, max)	-40 °C ... +125 °C
Conductors stripping length	9...11 mm
UL 94 flammability rating	UL 94V-0

Material properties

Main material	Polycarbonate
Colour	RAL 7032 grey
RoHs conformity	Compliant with exemption 6(c): copper alloy containing up to 4% lead by weight
China RoHs - EFUP	50
REACH SVHC substances	Yes Lead
SCIP number	1a9c93ff-0445-4a16-81e3-1609ac5274d6

Approvals / Standards

Certifications	DNV, BV, EAC, CQC
UL	ECBT2, PVVA2
cUL	ECBT8, PVVA8

General ordering information

EAN13 code	8015747263665
eCl@ss 8.1	27440205
ETIM 7.0	EC000438

Packaging Information

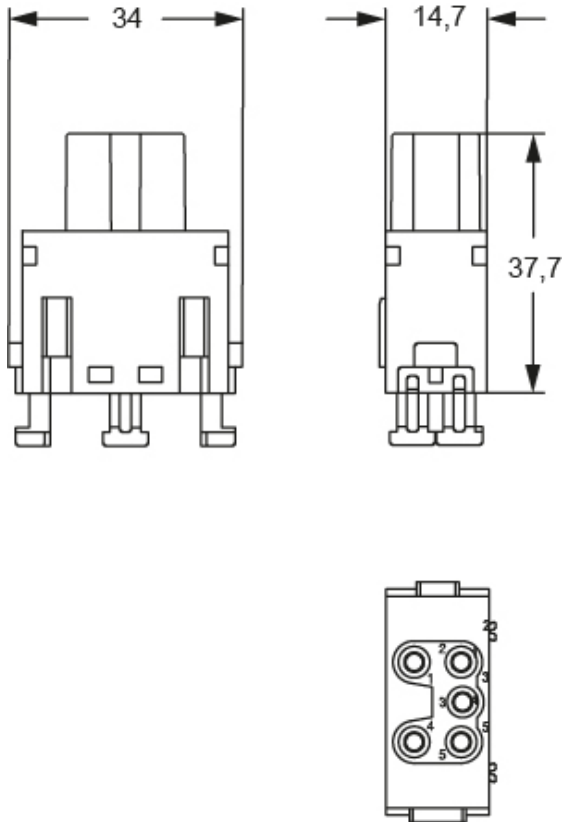
Packaging length	180,00 mm
Packaging height	120,00 mm
Packaging width	155,00 mm
Packaging weight	1,26 kg
Packaging volume	3,35 dm ³
Packaging description	Carton box
Packaging quantity	60 Pcs
Packaging EAN code	8015747263672
Sub-packaging length	155,00 mm
Sub-packaging height	48,00 mm
Sub-packaging width	35,00 mm
Sub-packaging weight	0,21 kg
Sub-packaging volume	0,26 dm ³
Sub-packaging description	Carton tray
Sub-packaging quantity	10 Pcs
Sub-packaging EAN barcode	8015747263689

Part number

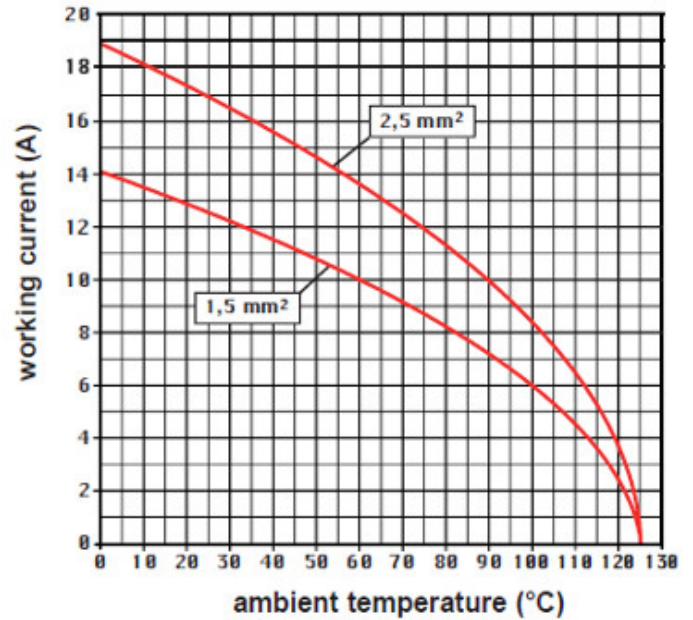
CX 05 SHF



Catalogue drawings



Derating curves



Notes

Standard modular inserts:

-in combination with standard contacts and standard frames (CX ... TF/TM); must be mounted either in traditional enclosures or in COB panel supports (both up to 500 matings).

Dimensions shown in mm are not binding and may be changed without notice.

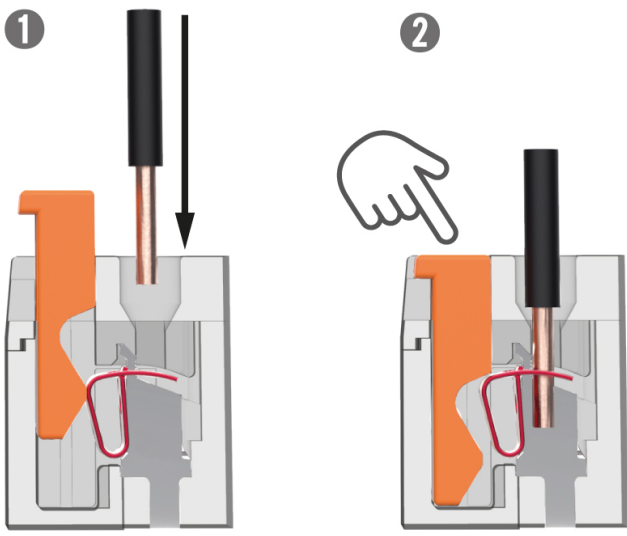
California Proposition 65 Information



WARNING

This product can expose you to lead and its compounds, known to the State of California to cause cancer and/or reproductive toxicity. For more information go to www.P65Warnings.ca.gov.

SQUICH® connection with actuator button



Reopening
