



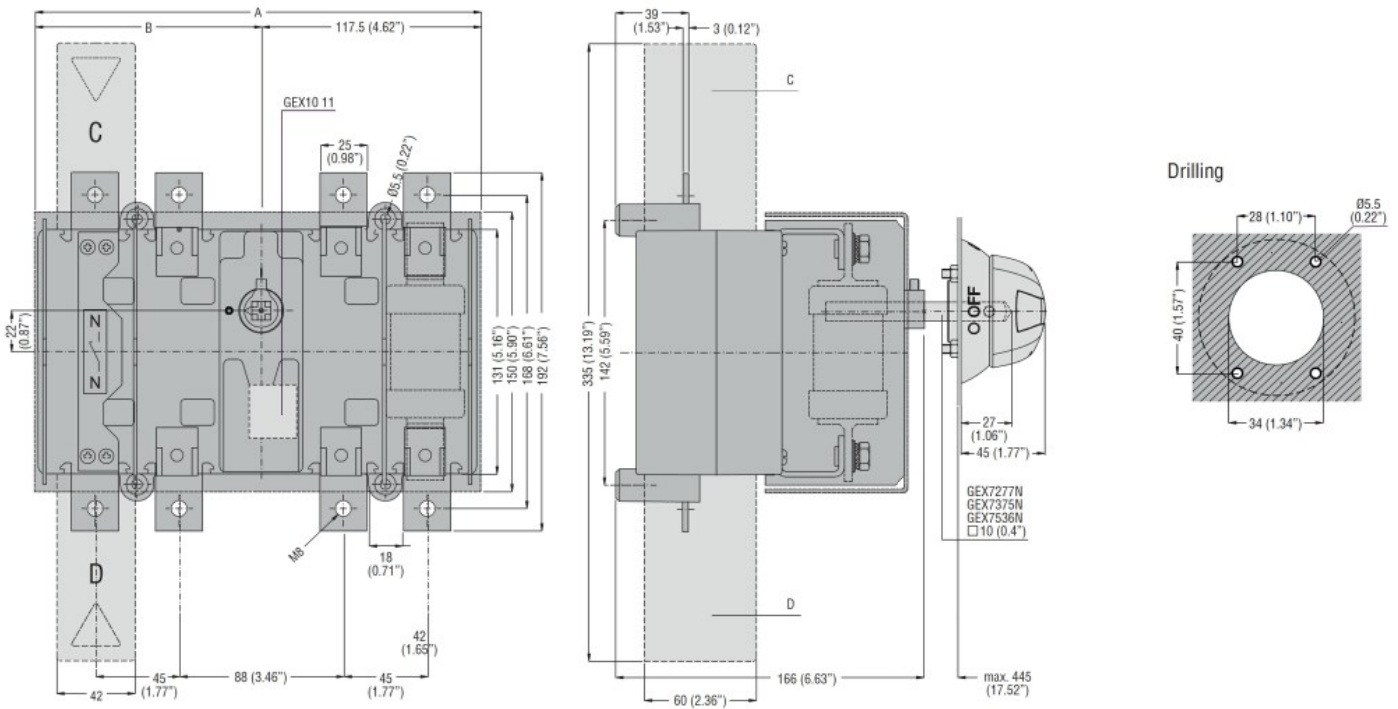
Product designation				Switch disconnecter with fuse
Product type designation				GE
Type of fuse				BS
Number of poles	Nr.			4
Operating voltage type				AC
Contact characteristics				
IEC Conventional free air thermal current I _{th}	A			250
Rated insulation voltage U _i IEC/EN	V			1000
Rated impulse withstand voltage U _{imp}	kV			12
Operating current I _e				
AC21A	400V	A	250	
	500V	A	250	
	690V	A	250	
AC22A	400V	A	250	
	500V	A	250	
	690V	A	250	
AC23A	400V	A	250	
	500V	A	250	
	690V	A	200	
Power dissipation per pole max	W			12
Rated operational power AC23A	400V	kW	132	
	690V	kW	160	
Conditional short-circuit current (rms)	kA			100
Specific let through energy I ² t	kA ² s			1.6
Making capacity AC23A 400V	A			2500
Breaking capacity AC23A 400V	A			2000
Mechanical life	cycles			10000
Electrical life AC21A	cycles			1000 (AC23A 400V)
Mechanical features				
Operating position	normal allowable			Vertical plan Any
Fixing				Screw
Terminals	type screw			Bar M10
Tightening torque for terminals	max	Nm	24	
	max	lbin	18	

Bar dimensions max	30x4
Ambient conditions	
Operating temperature	min °C -25 max °C 55

Storage temperature	min °C -40 max °C 70
Max altitude	m 3000

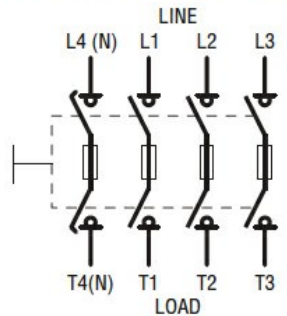
Resistance & Protection	
Frontal IP degree	IP20
Pollution degree	3

Dimensions



Wiring diagrams

Four-pole disconnectors with fuse holders
GE0050 FT4 - GE0125 FT4
GE0160 NT4 - GE0800 NT4
GE0160 BT4 - GE0800 BT4



Certifications and compliance	
Compliance	IEC/EN 60947-1 IEC/EN 60947-3

Certifications

EAC

ETIM classification

ETIM 8.0

EC000216 -
Switch
disconnecter