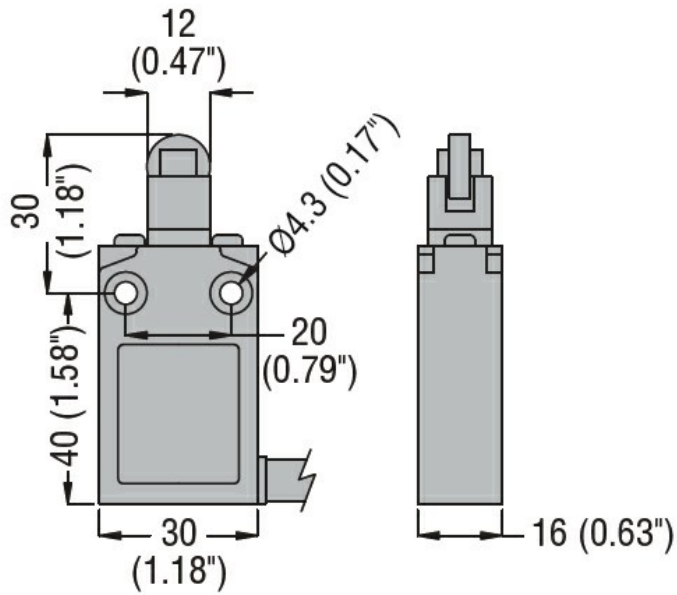


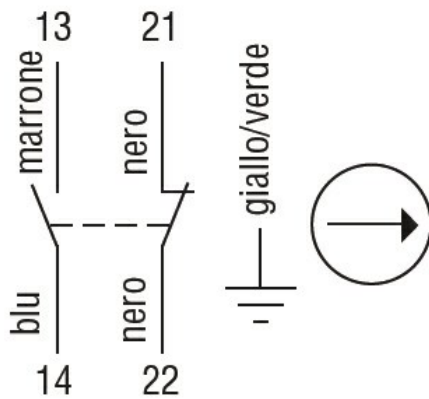


| | | | |
|-----------------------------------------------------------|-------------------------|----------------------|-----|
| Product designation | Top roller push plunger | | |
| Product type designation | KPB1 | | |
| General characteristics | | | |
| Material | Housing | Aluminium-zinc alloy | |
| | Roller | Plastic | |
| Contact characteristics | | | |
| Type of contact | 1NO+1NC Snap action | | |
| Thermal current I _{th} | A | 10 | |
| IEC/EN 60947-5-1 designation | B300 R300 | | |
| Rated insulation voltage U _i | V | 400 | |
| Rated impulse withstand voltage U _{imp} | kV | 4 | |
| Insulation class | I | | |
| IEC Conventional free air thermal current I _{th} | A | 10 | |
| Resistance per pole (average value) | mΩ | <25 | |
| Conductivity | 10mA 5V | | |
| Mechanical features | | | |
| Operating head fixing | Fixed | | |
| Operating torque | N | 10 | |
| | lb | 2.2 | |
| Tightening torque (Max) | | | |
| Switch fixing | Nm | 2.5 | |
| | lbin | 22.1 | |
| Weight | g | 290 | |
| Operations | | | |
| Mechanical life | cycles | >10000000 | |
| Mechanical operation | cycles/h | 3600 | |
| Ambient conditions | | | |
| Temperature | | | |
| Operating temperature | min | °C | -25 |
| | max | °C | +70 |
| Storage temperature | min | °C | -40 |
| | max | °C | +70 |
| Resistance & Protection | | | |
| IP degree | Body housing | IP67 | |
| Pollution degree | 3 | | |
| Dimensions | | | |



Wiring diagrams

Snap action



1NO + 1NC

Certifications and compliance

Compliance

CSA C22.2 n° 14.
IEC/EN 60947-1
IEC/EN 60947-5-1
UL508

Certificates

cULus
EAC

ETIM classification

ETIM 8.0

EC000030 - End
switch