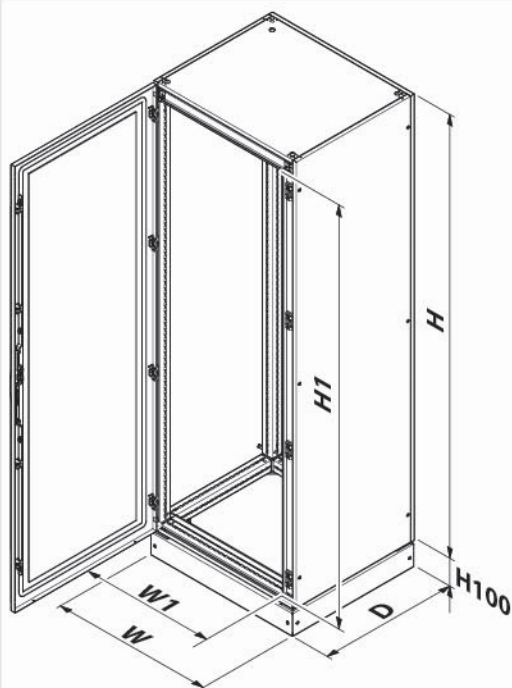
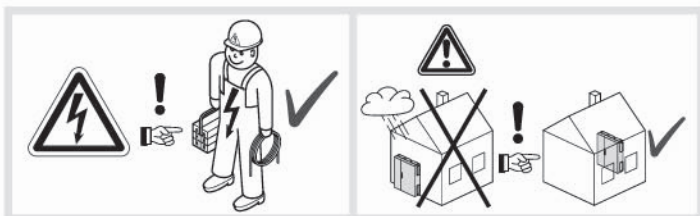


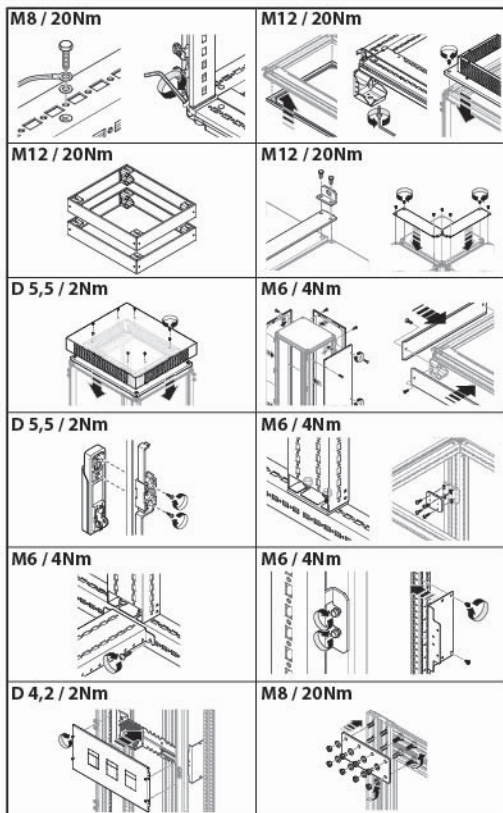
- (DE) Montageanleitung
- (FR) Notice d'instructions
- (GB) Mounting instructions
- (NL) Montage instructie
- (DK) Monteringsvejledning
- (FI) Asennusohje
- (NO) Montasjeanvisning
- (SE) Monterings instruktioner
- (IT) Istruzioni di montaggio
- (ES) Instrucciones de montaje
- (PT) Instruções de montagem
- (CZ) Montážní návod
- (BA) Uputstvo za montažu

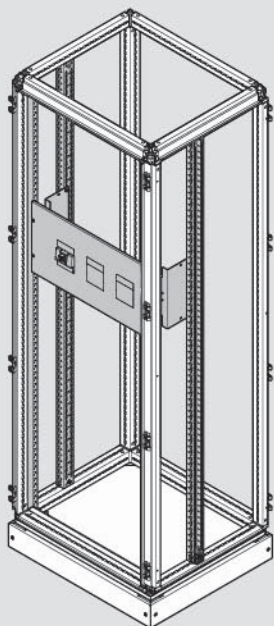
- (HR) Upute za montažu
- (HU) Szerelési útmutató
- (LT) Montavimo instrukcija
- (LV) Mont žas instrukcija
- (PL) Instrukcja monta owa
- (RO) Intructiuni de montare
- (SK) Návod na montáž
- (RU) Инструкция по монтажу
- (BG) Инструкции за монтаж
- (GR) Οδηγίες χώνευσης
- (SI) Navodilo za montažo
- (EE) Paigaldusjuhised
- (IS) Leiðbeiningar

**quadro evo**  
enclosure internal system

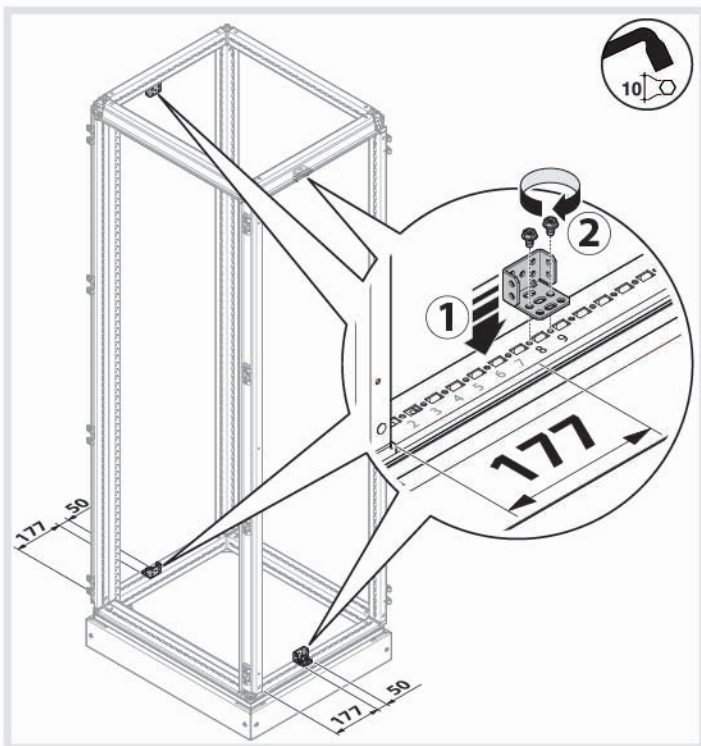


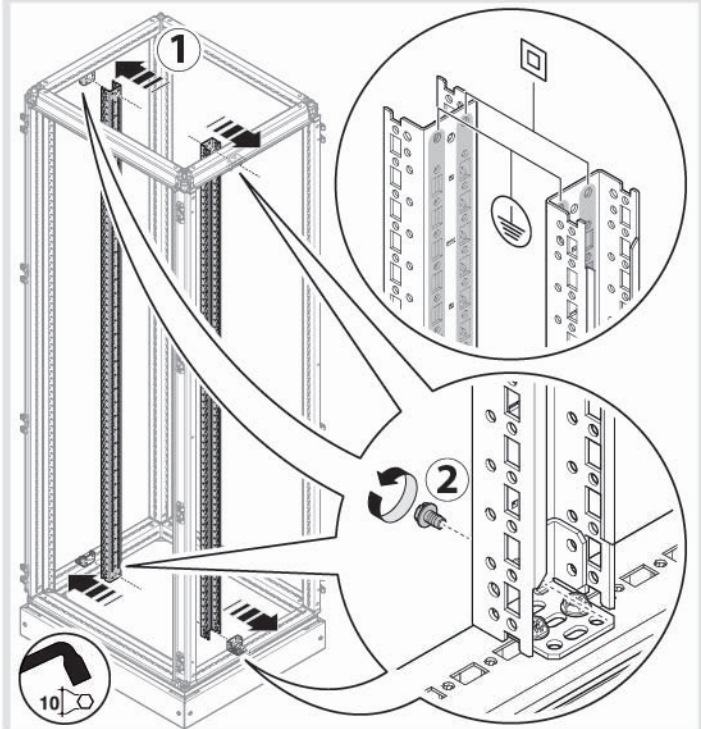
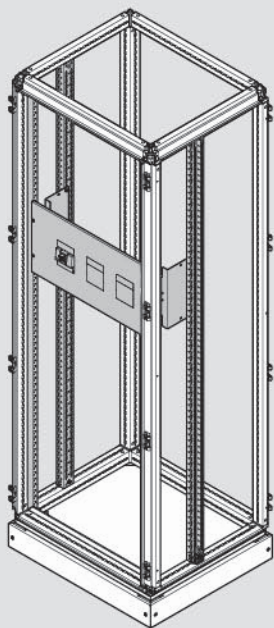
W	W1	H	H1	D
450	350			400
700	600	1900	1800	600
900	800	2100	2000	600
1000	600			800



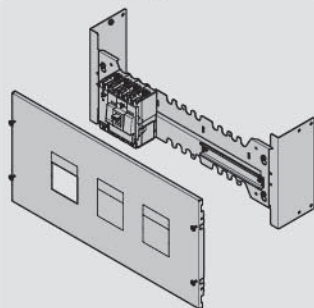


	H1
UC1800FB	1800
UC2000FB	2000

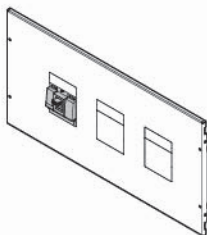




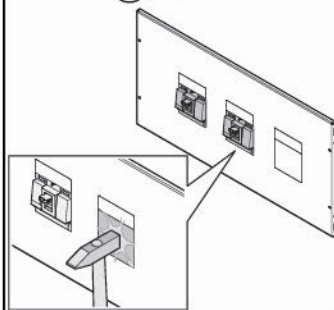
Type of Device	Installation H / V
H3	x160 x250 H250 H800/1000
H3+	P160 P250 P630 X630
Type of Device	Installation V
H3	H800/1600
HA	Up to 630
HI	
HIC	
LT	Up to 400



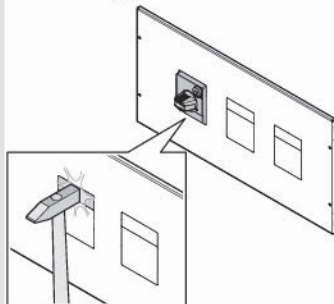
**DIRECT**  



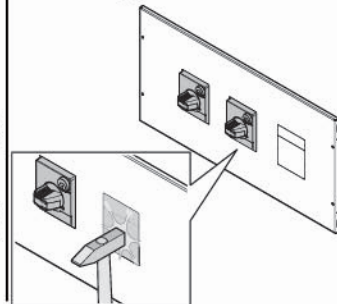
**DIRECT**  



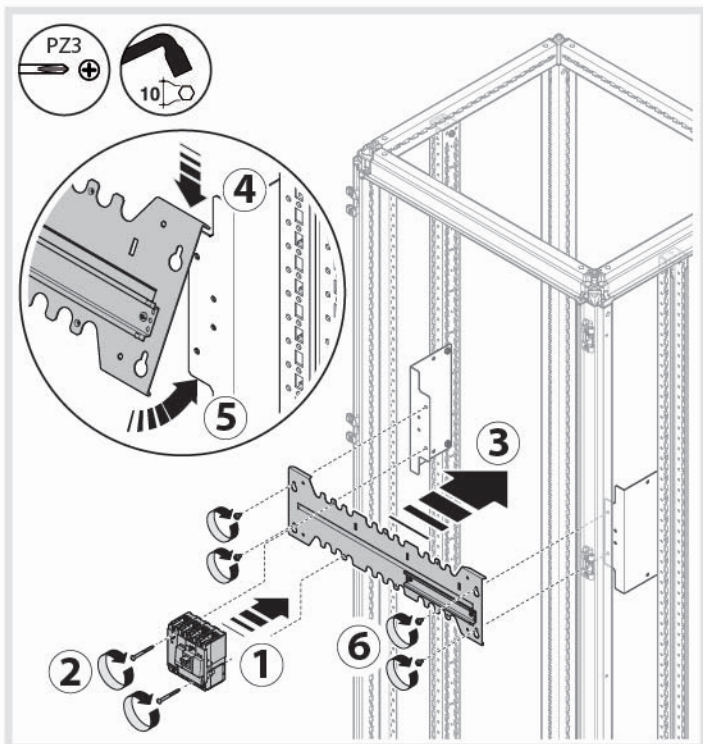
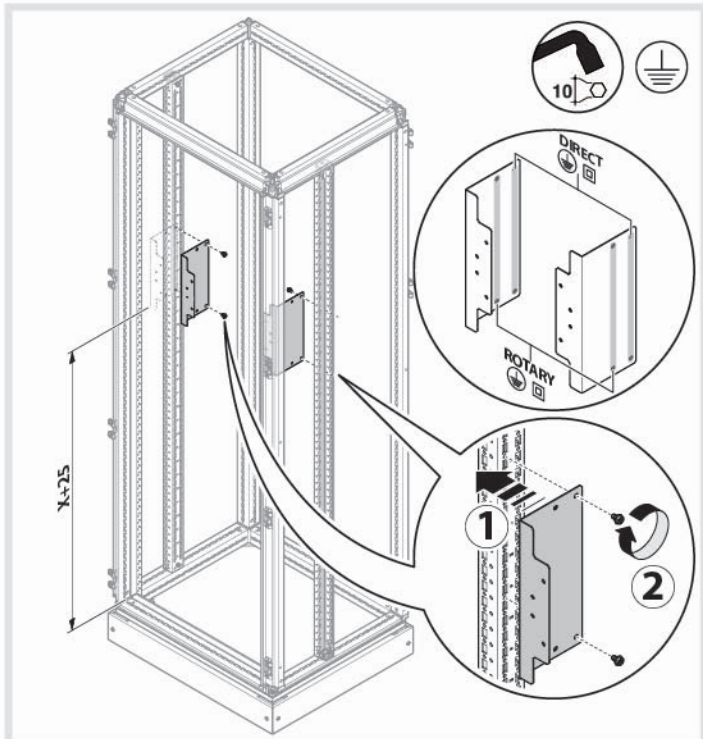
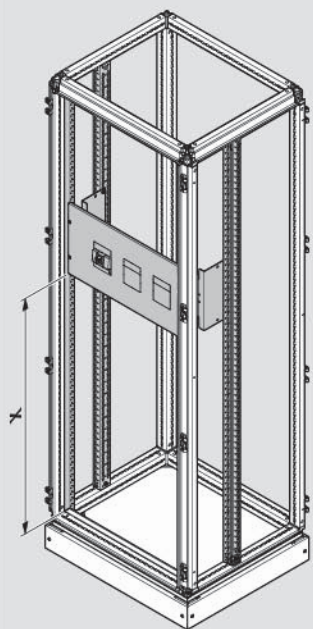
**ROTARY**  



**ROTARY**  



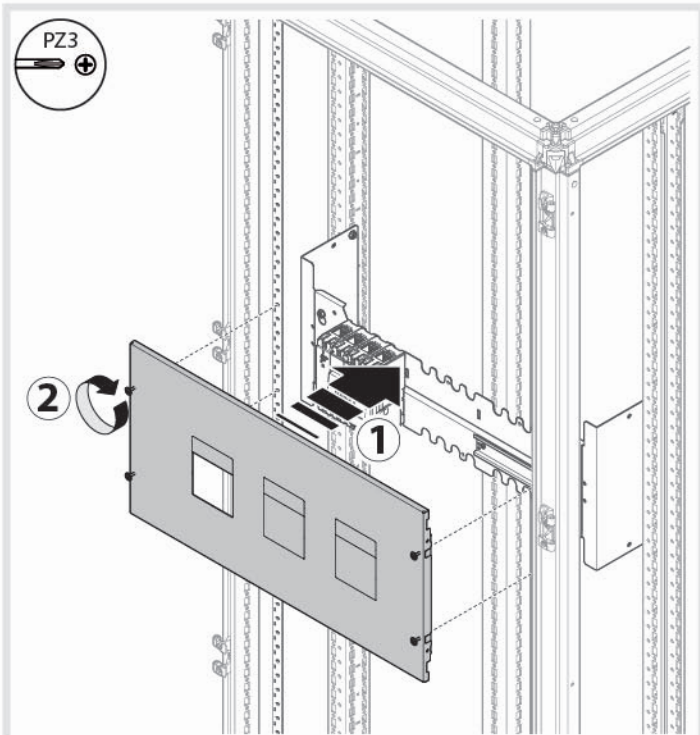






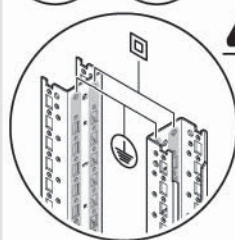
2

1



UC000XHP

x4



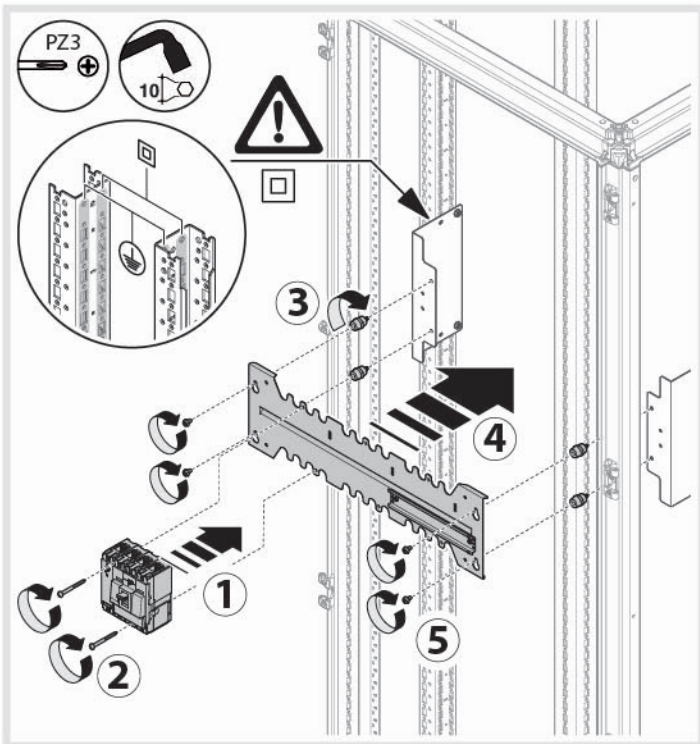
3

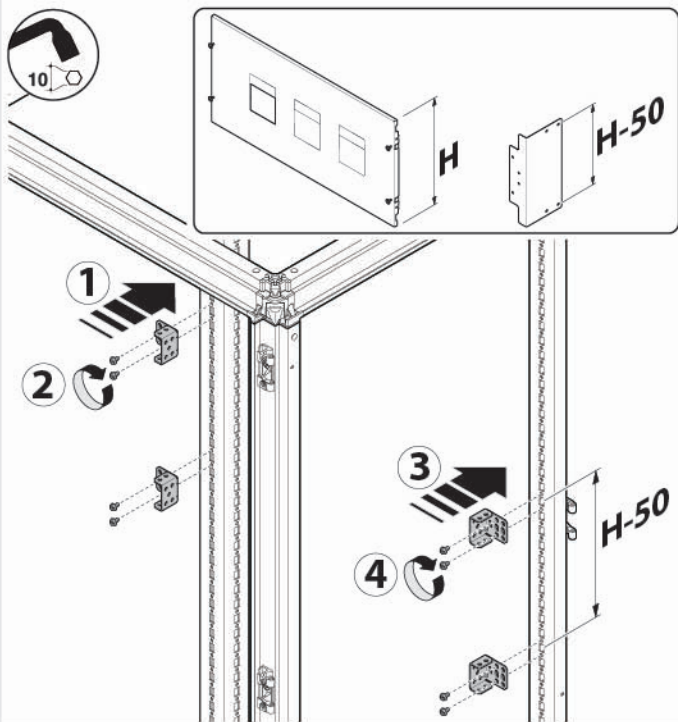
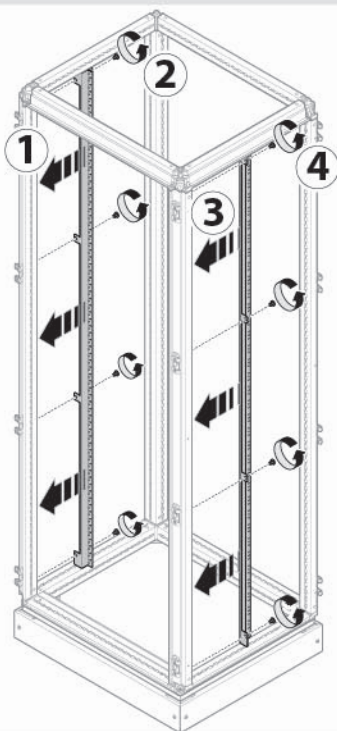
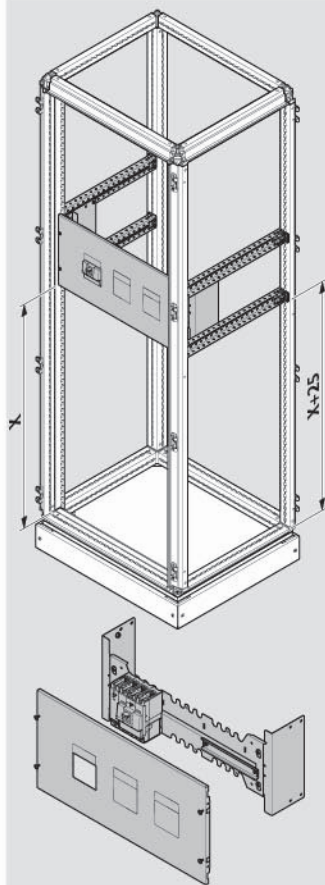
4

1

2

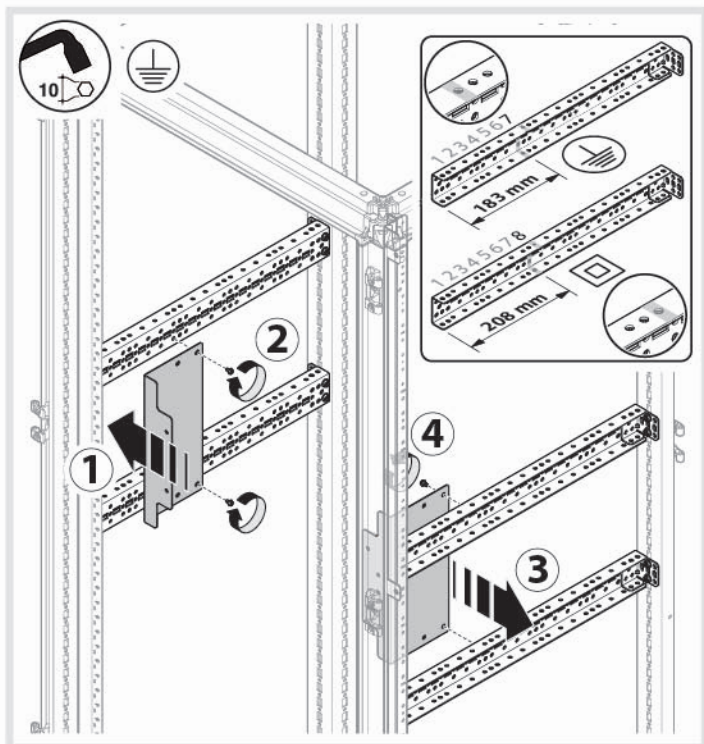
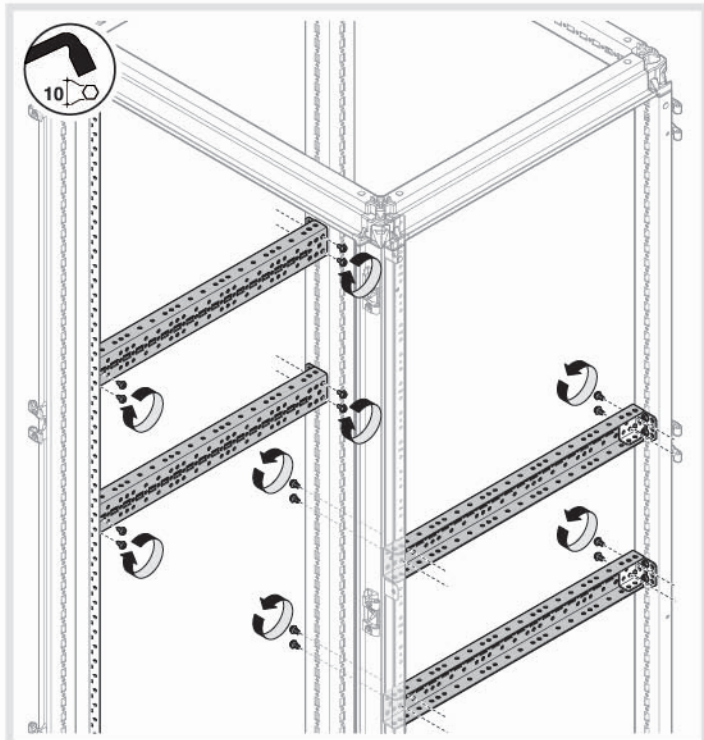
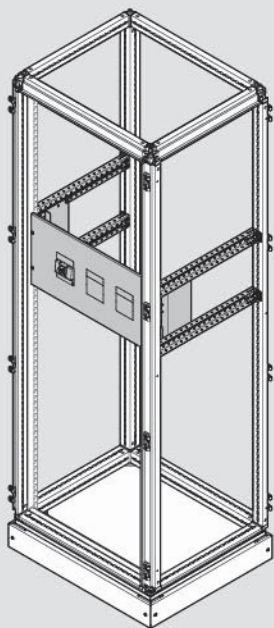
5



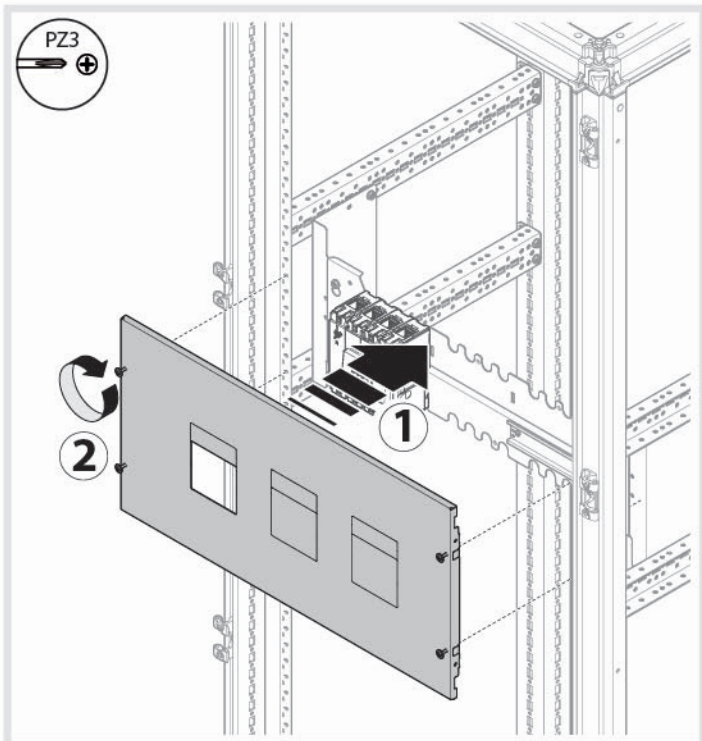
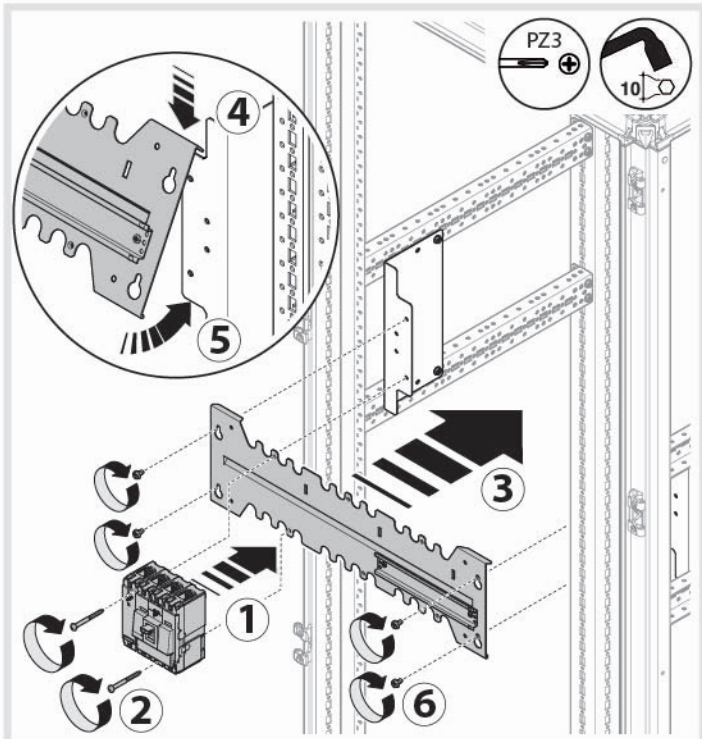
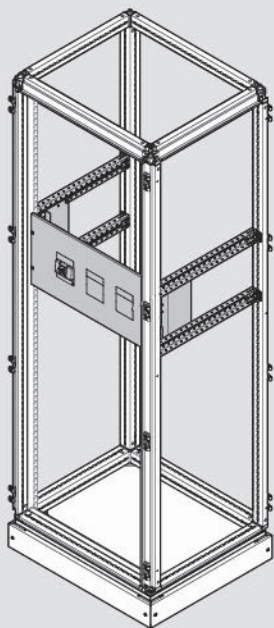


	H1		D
UC1800F	1800	UC300FU	400
UC2000F	2000	UC500FU	600
		UC700FU	800

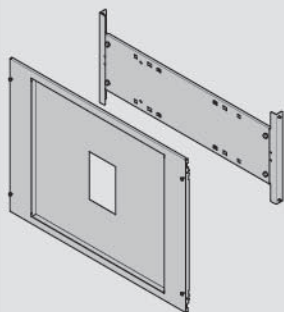
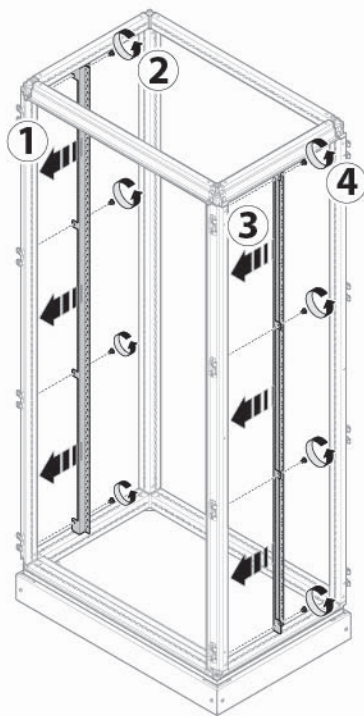
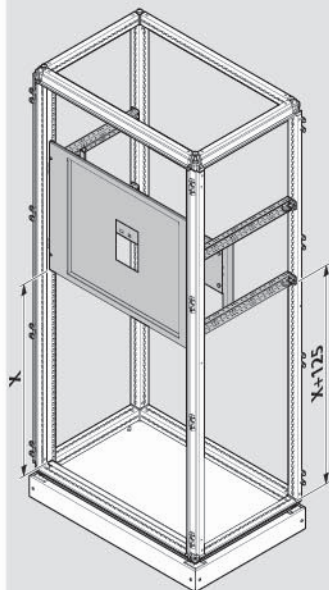
Type of Device	Installation V
H3	x160 x250 H250 H800/1000 H1250/1600
H3+	P160 P250 P630 X630
HA	Up to 630
HI	
HIC	
Type of Device	Installation V
LT	Up to 400



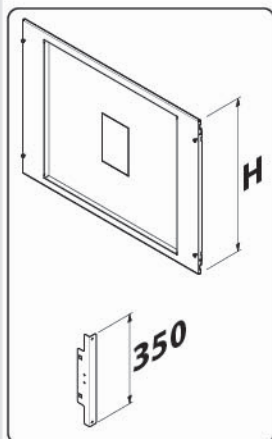






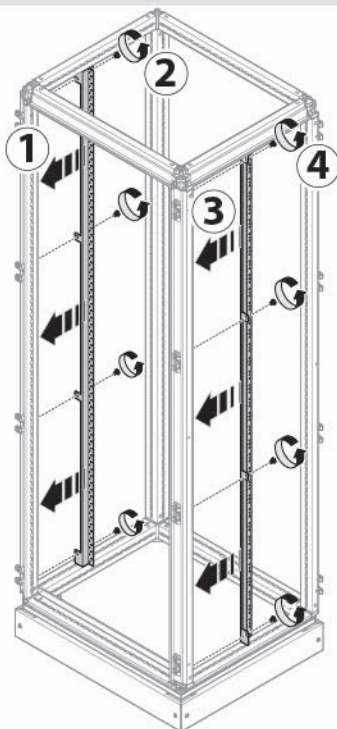
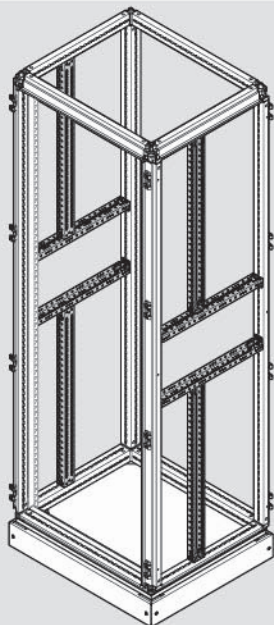


	H1		D
UC1800F	1800	UC700FU	800
UC2000F	2000		



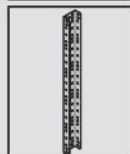
Type of Device	Installation V
HA	Up to 3200A
HI	
HIC	

HA	
From 800A to 1600A	3200A
HI	
From 800A to 1600A	3200A
HIC	
From 800A to 1600A	3200A



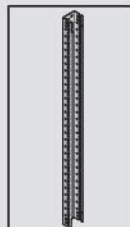
H1

UC1800F 1800  
UC2000F 2000



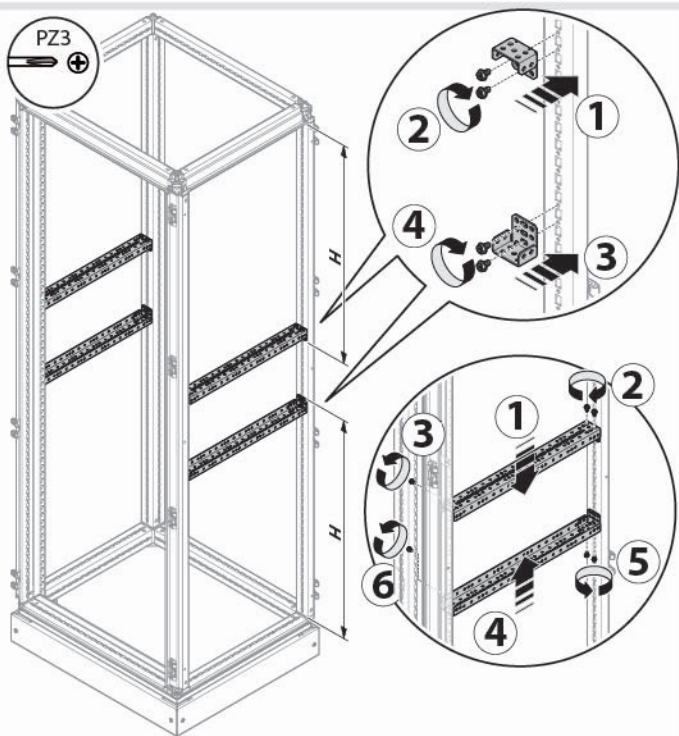
P

UC300FU 400  
UC500FU 600  
UC700FU 800

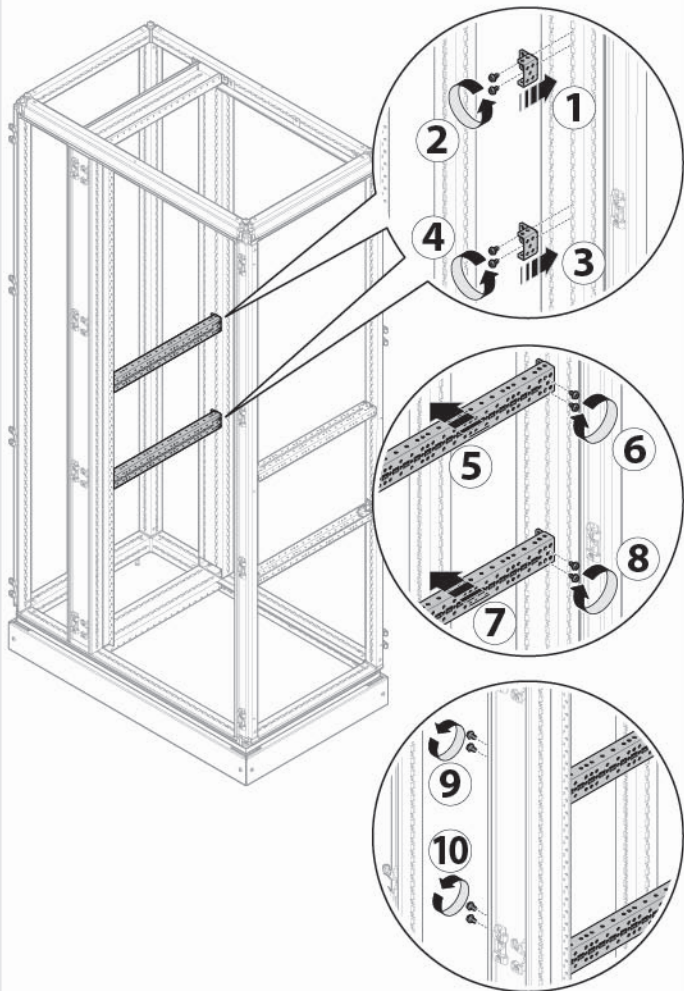
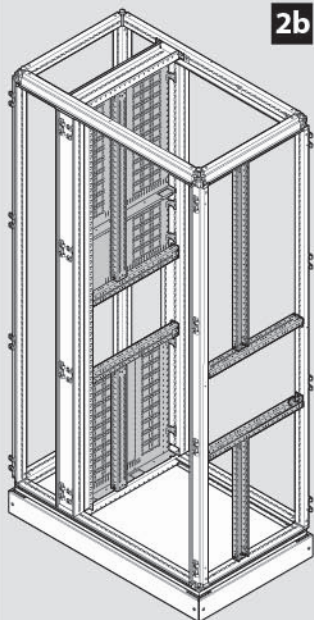


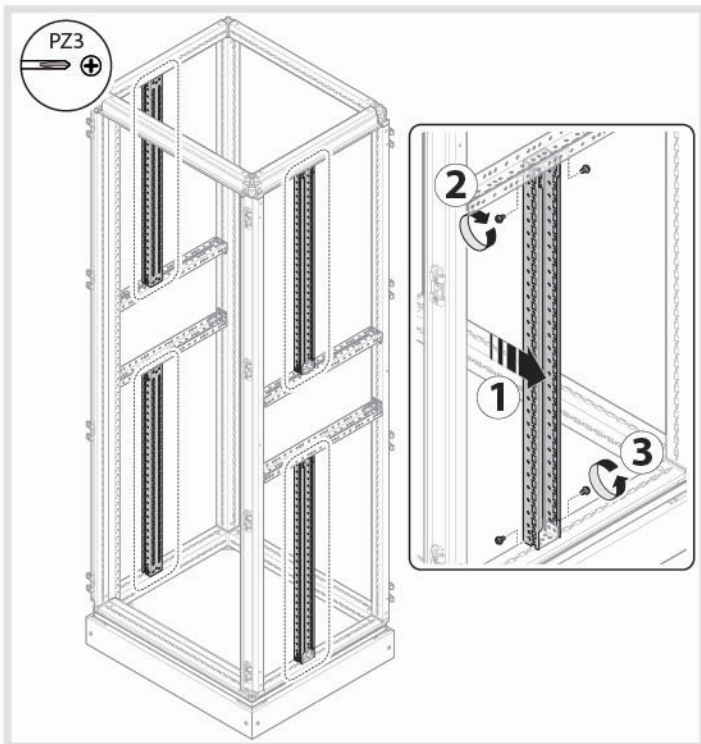
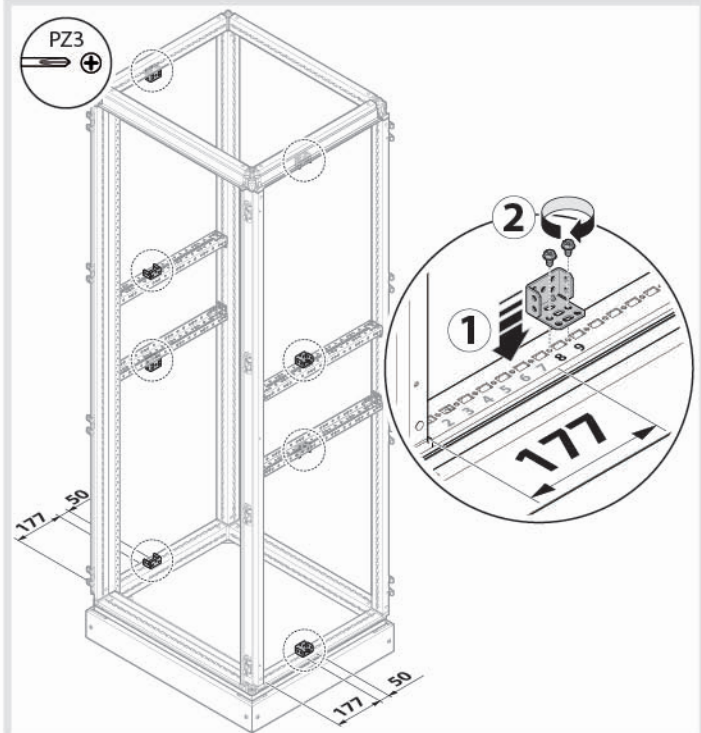
H

UC300BU 300  
UC400BU 400  
UC500BU 500  
UC600BU 600  
UC700BU 700  
UC800BU 800  
UC900BU 900  
UC1000BU 1000

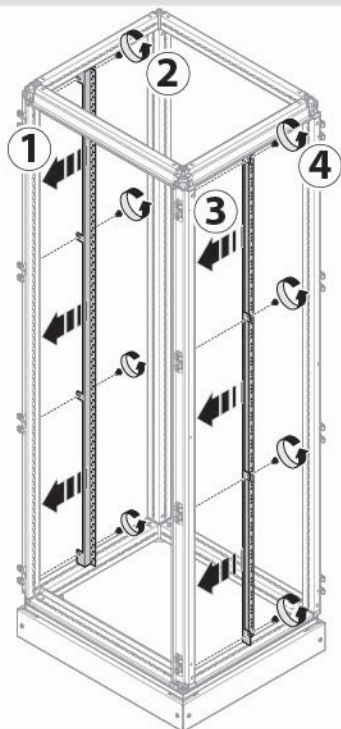
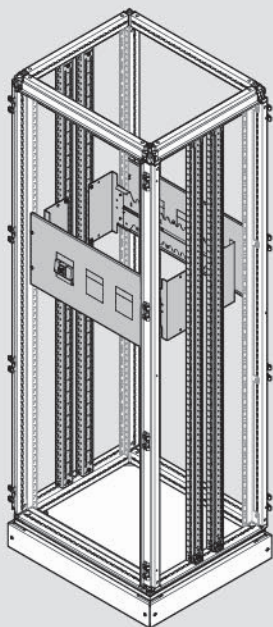


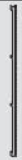
2b



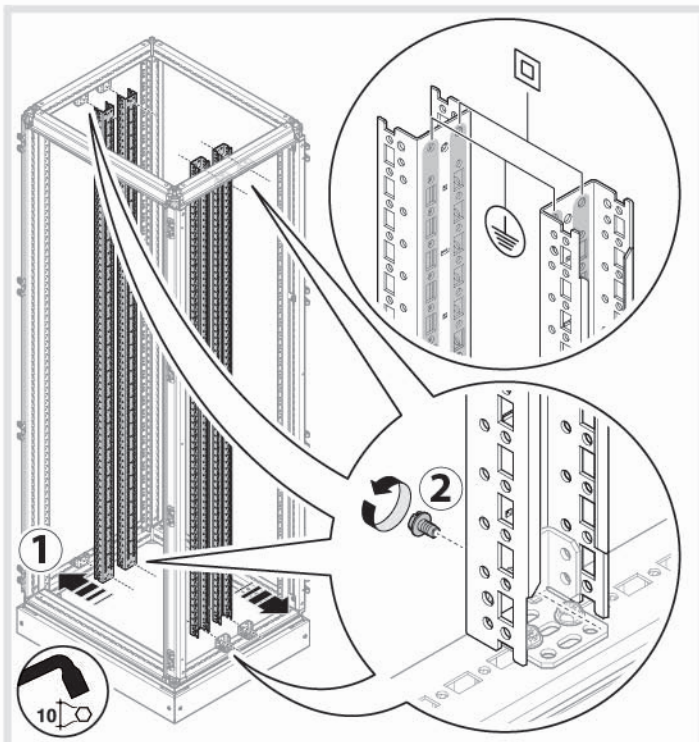
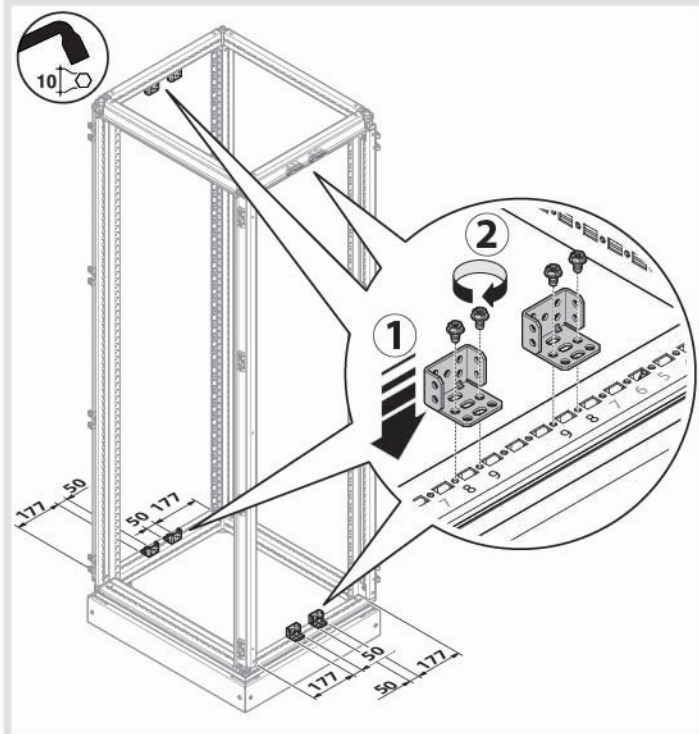
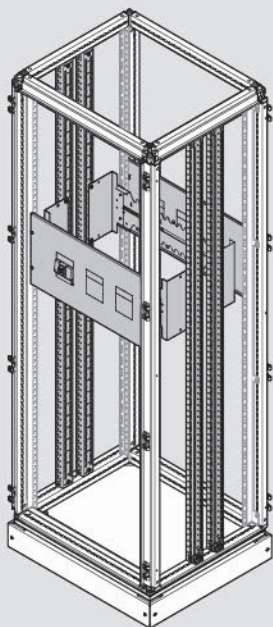


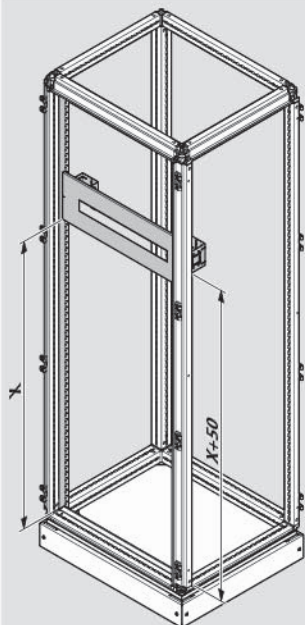


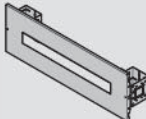



	H1	Q.TA
UC1800FB	1800	2
UC2000FB	2000	2

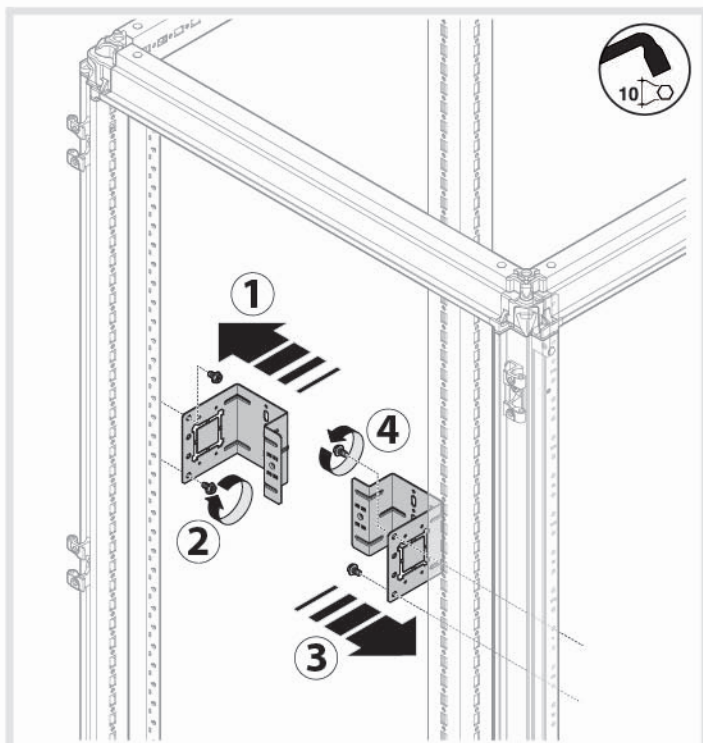


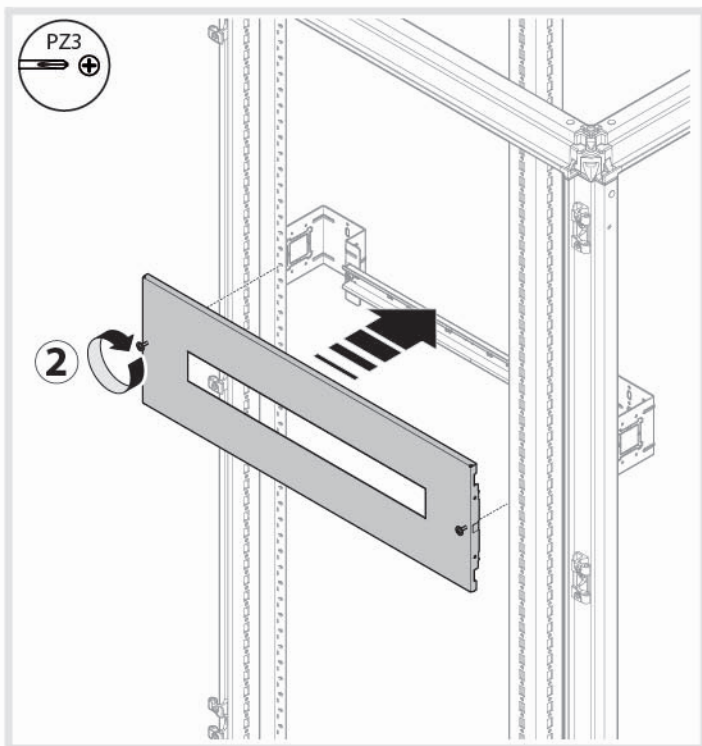
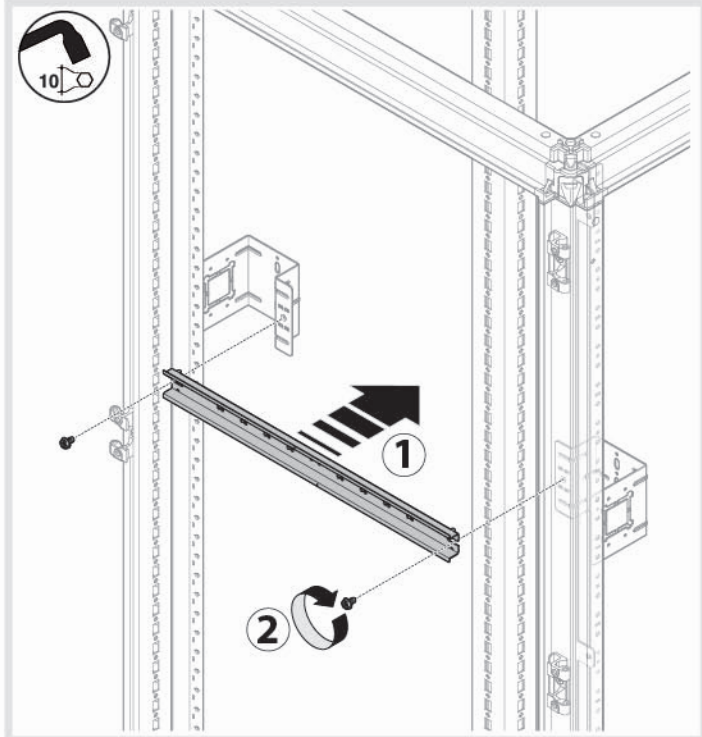
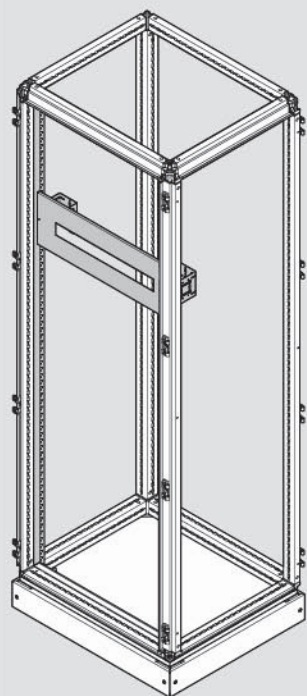




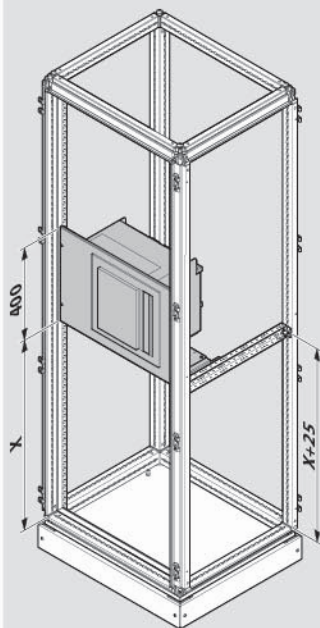
	W1	H1
UC1530MD	350	150
UC1560MD	600	150
UC1580MD	800	150
UC2030MD	350	200
UC2060MD	600	200
UC2080MD	800	200


	H1
UC1800F	1800
UC2000F	2000






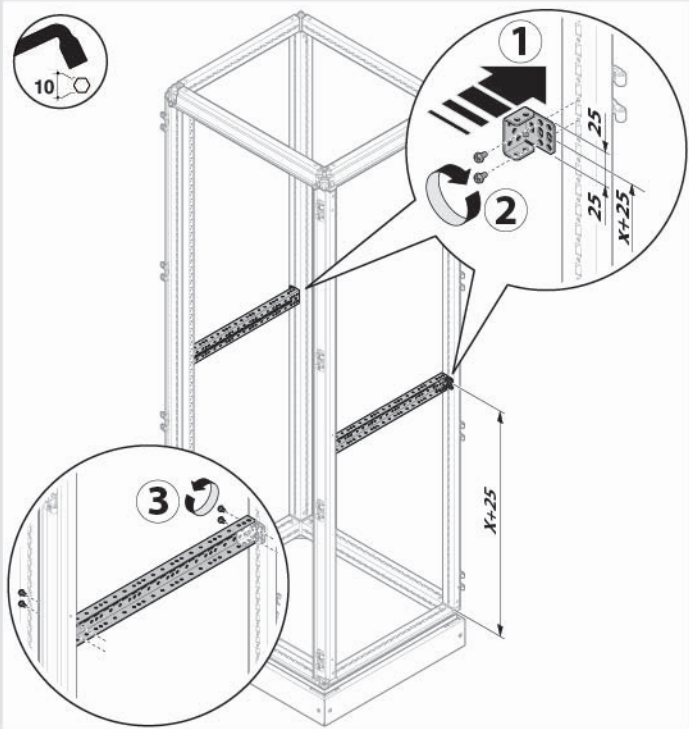
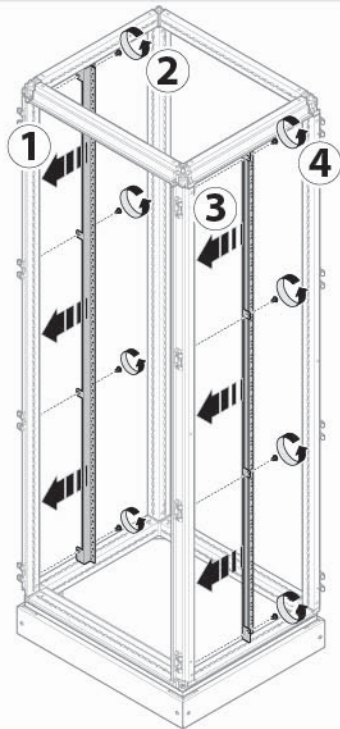


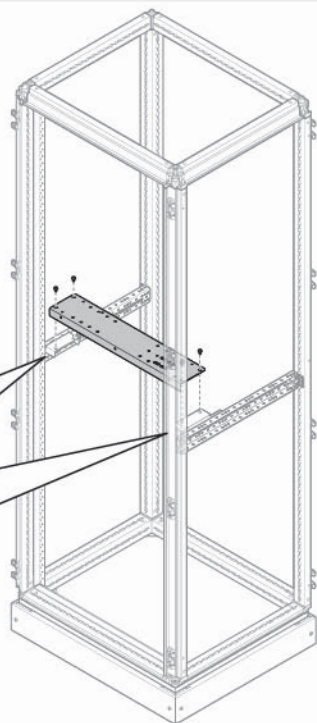
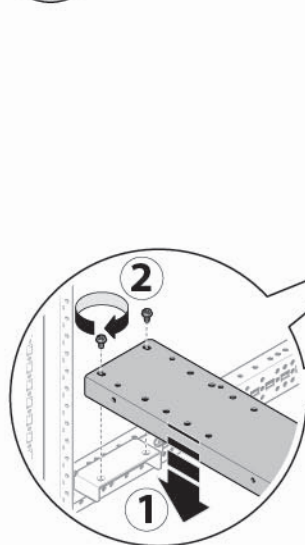
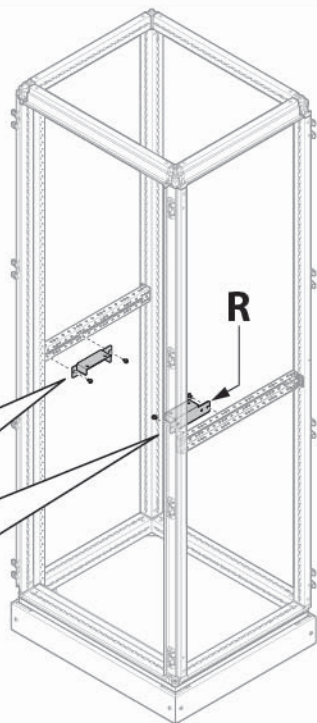
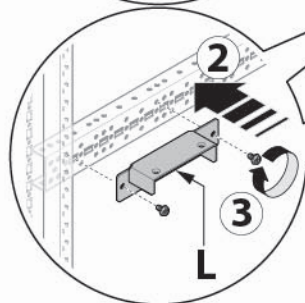
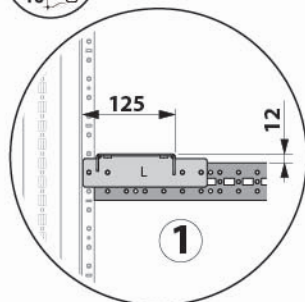


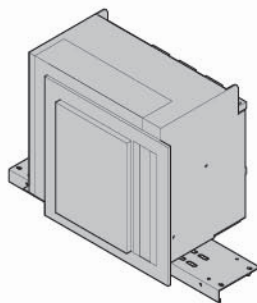
	Device 3/4 Poles	W	Type
	HW1		
UC6040HW1	1600A	600	FIX D/W
UC8040HW1	1600A	800	FIX D/W

	H1
UC1800F	1800
UC2000F	2000

	D
UC300FU	400
UC500FU	600
UC700FU	800

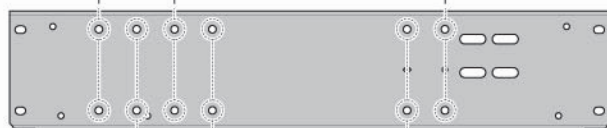






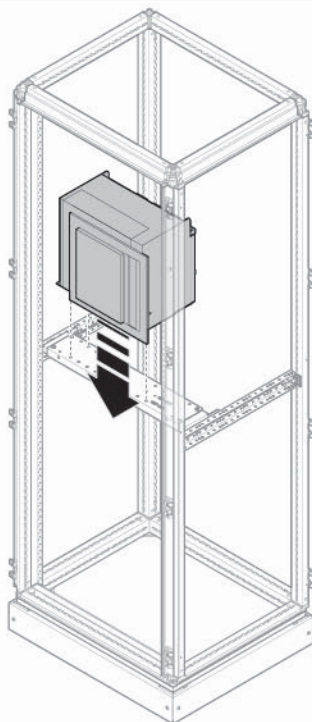
**FIX - 4P**

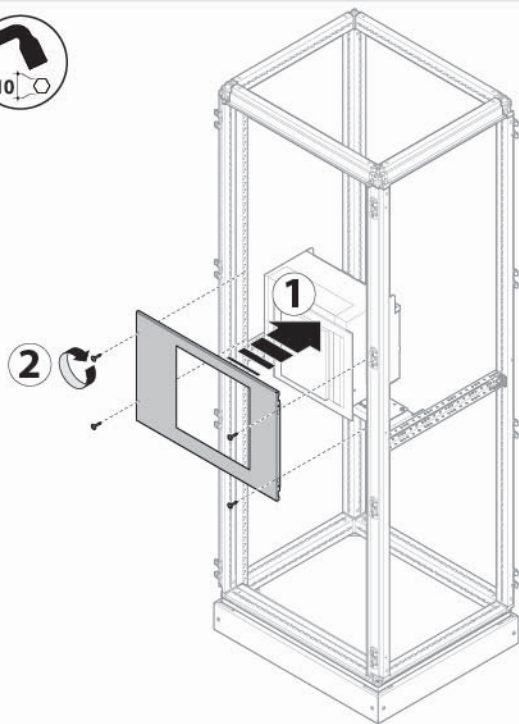
**FIX - 3P**



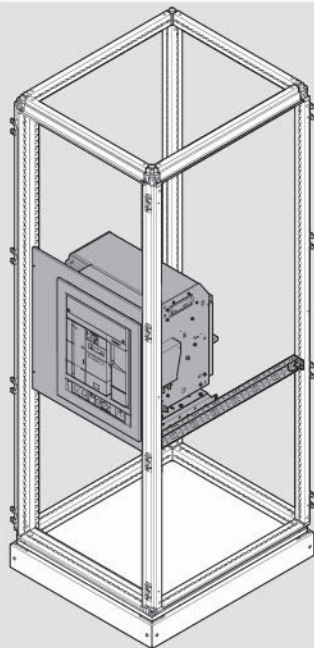
**D/W - 3P**


**D/W - 4P**







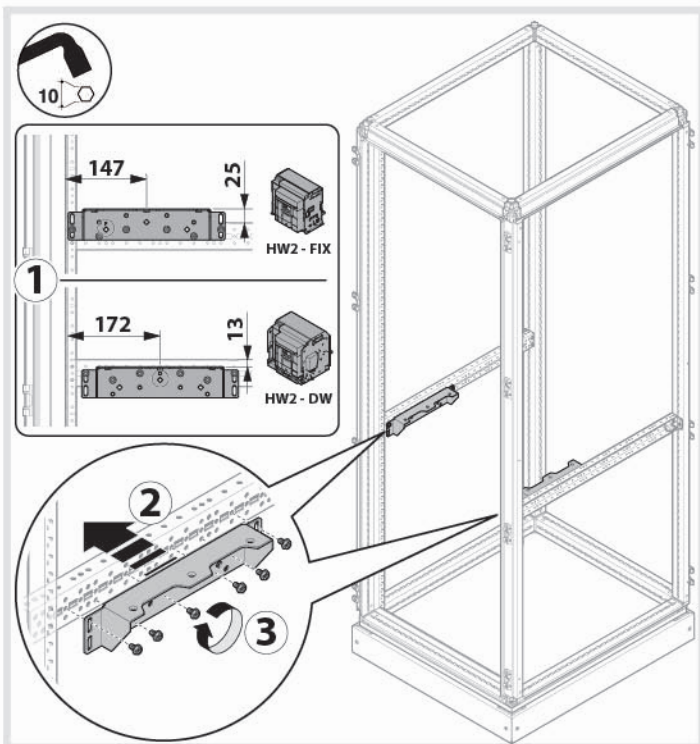
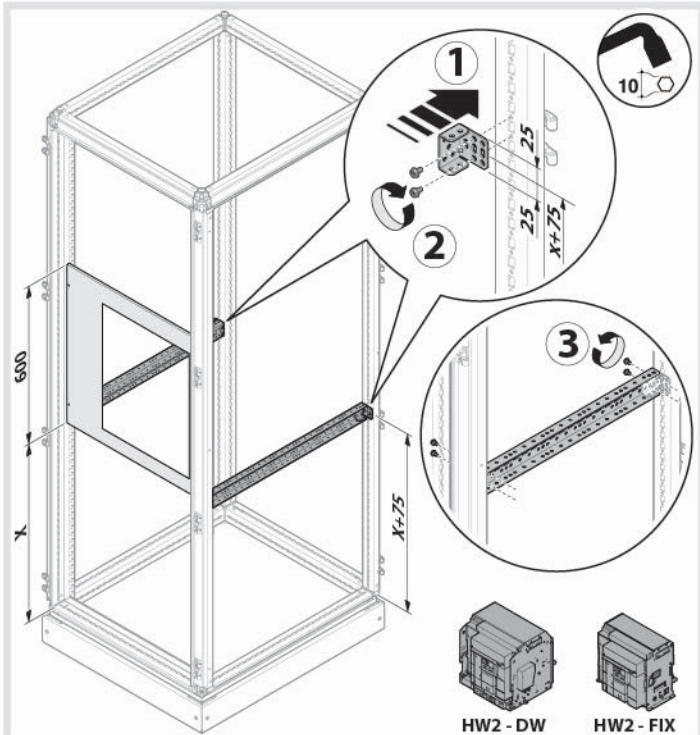


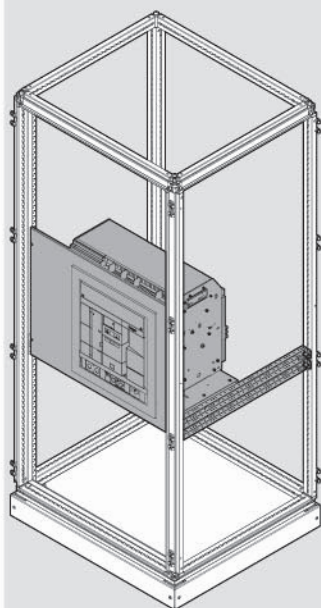



	Device 3/4 Poles	W	Type
	HW2		
UC6060HW2	≤2500A	600	FIX D/W
UC8060HW2	≤2500A	800	FIX D/W


	H1
UC1800F	1800
UC2000F	2000


	D
UC700FU	800

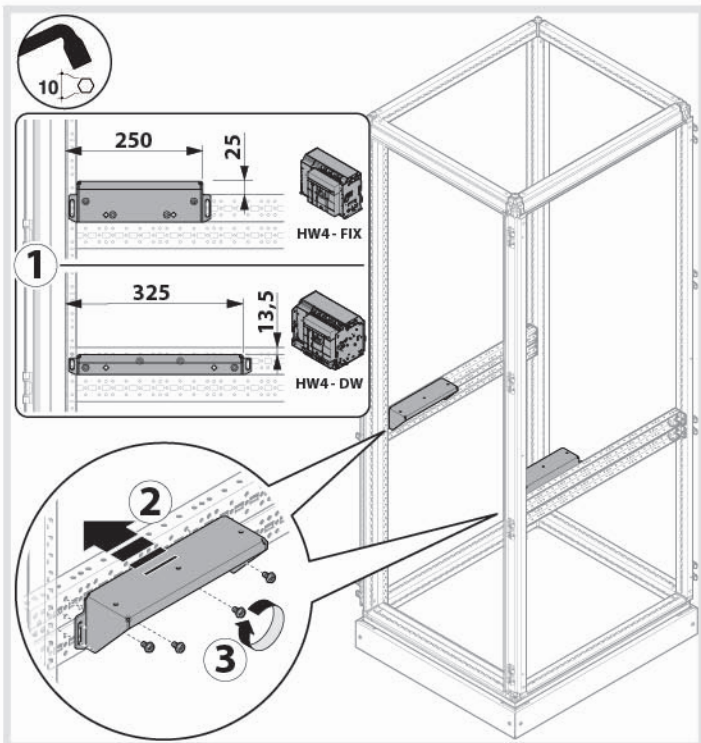
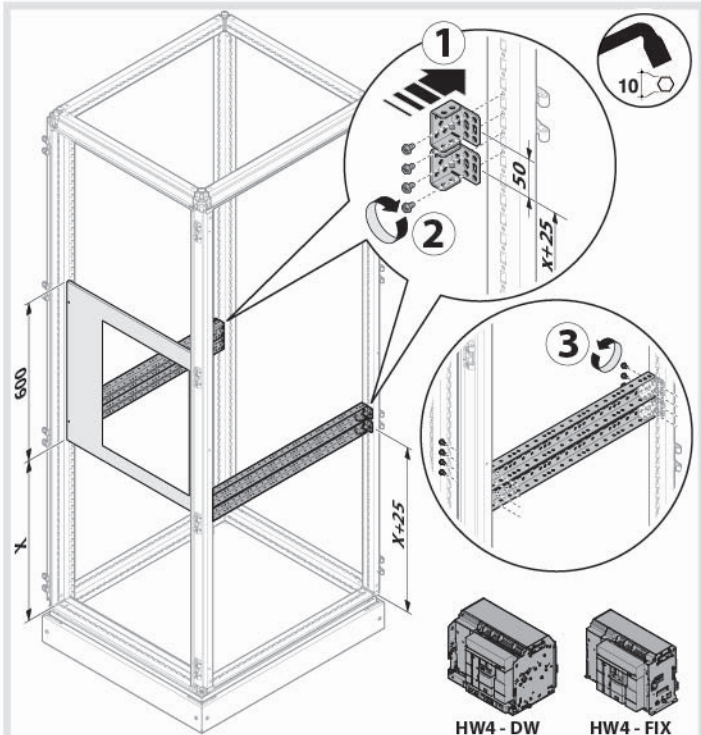


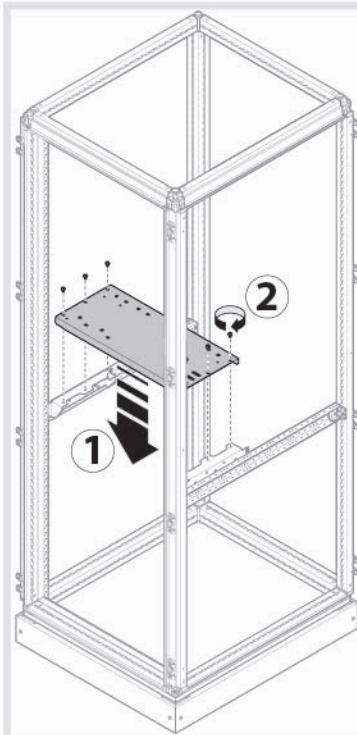


	Device	W	Type
	3/4 Poles		
	HW4		
UC8060HW4	≤4000A	800	FIX D/W

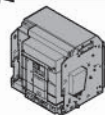
	H1
UC1800F	1800
UC2000F	2000

	D
UC700FU	800



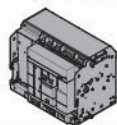


BACK

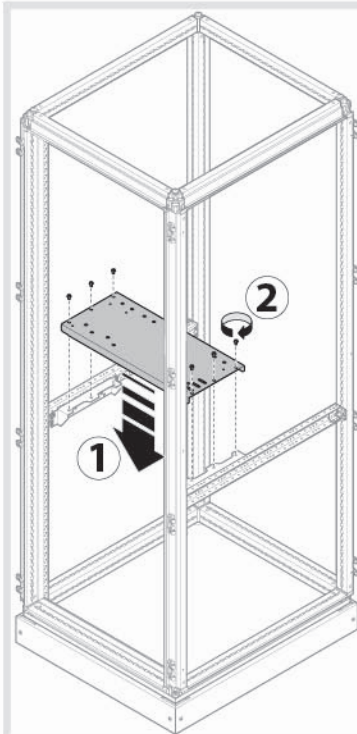


HW2 - DW

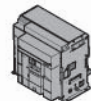
BACK



HW4 - DW

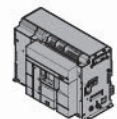
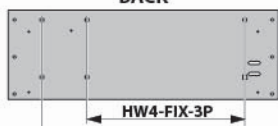


BACK

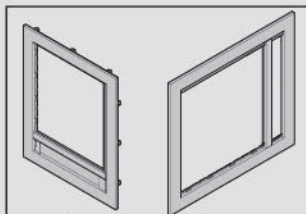
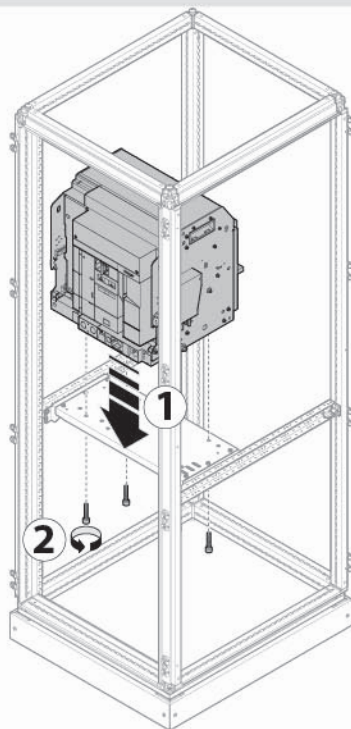


HW2 - FIX

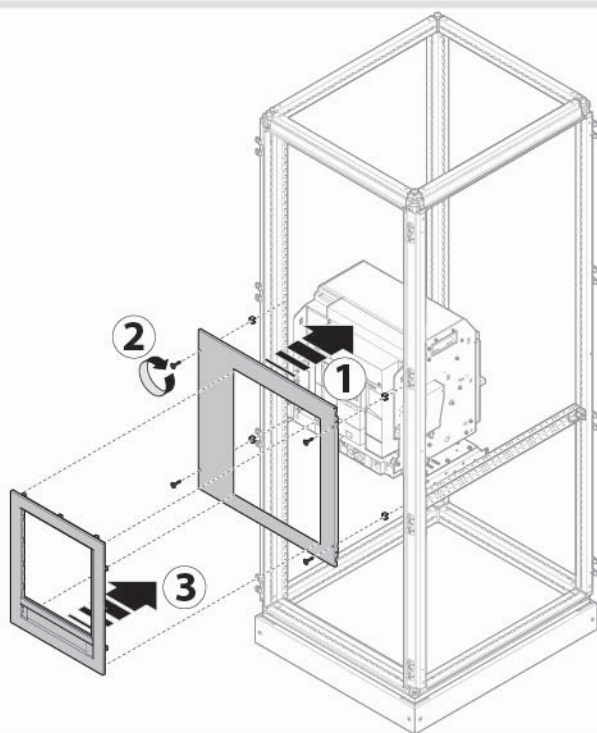
BACK



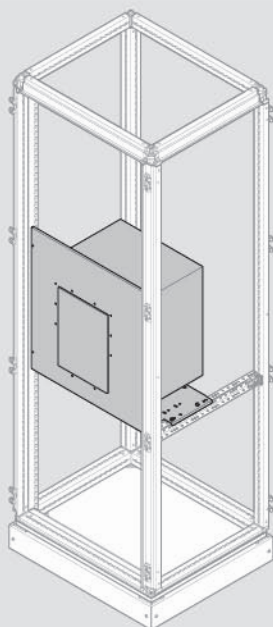
HW4 - FIX





Version	HW1	HW2	HW4	Item
Fix	x			HWY280H
DW	x			HWY281H
Fix		x		HWY284H
DW		x		HWY285H
Fix			x	HWY288H
DW			x	HWY289H

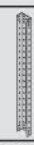






	Device	W
	<b>HWT</b>	
UC766HWT	ACB HWT kit 2000 A	600
UC786HWT	ACB HWT kit 2000 A	800
UC886HWT	ACB HWT kit 4000 A	800
	<b>HW</b>	
UC766HW	ACB HW kit 2000 A	600
UC886HW	ACB HW kit 4000 A	800

	H1
UC1800F	1800
UC2000F	2000

	D
UC500FU	600
UC700FU	800

