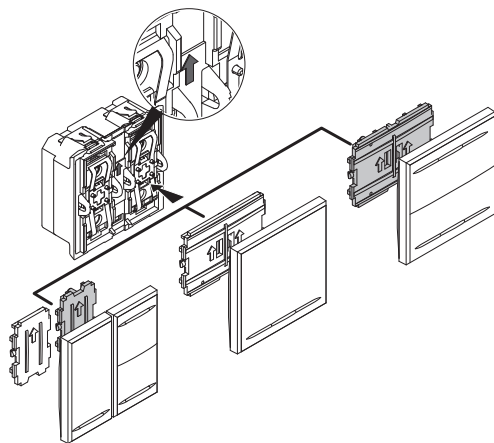


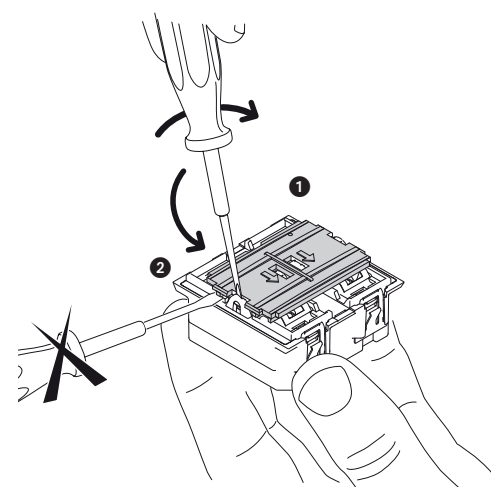
- Operazioni di montaggio
- Assembly operations
- Opérations de montage
- Montieren

- Operaciones de montaje
- Montage
- Operações de montagem

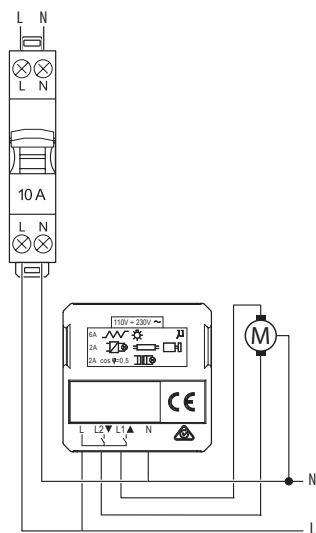


- Operazioni di smontaggio
- Disassembly operations
- Opérations de démontage
- Abmontieren

- Operaciones de desmontaje
- Demontage
- Operações de desmontagem

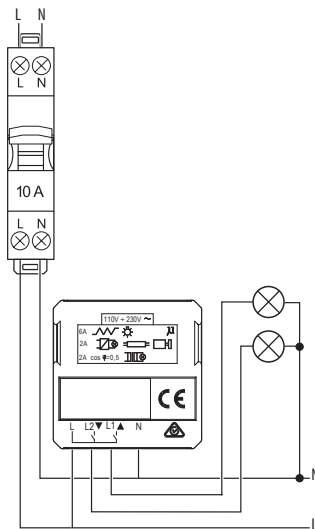


- Schema elettrico
- Schéma électrique
- Esquema eléctrico
- Esquema elétrico
- Electric diagram
- Schaltplan
- Elektrisch schema



- Protéger avec interrupteur magnétothermique 10A
- Protect with 10 A thermal magnetic circuit breaker
- Proteggere con interruttore magnetotermico da 10 A
- Mit magnetothermischem Schalter zu 10A schützen

- Pour l'utilisation sans neutre, consulter la fiche technique sur le site: [www.homesystems-legrandgroup.com/BtHomeSystems/home.action](http://www.homesystems-legrandgroup.com/BtHomeSystems/home.action)
- To use without neutral, refer to the technical sheet on the site: [www.homesystems-legrandgroup.com/BtHomeSystems/home.action](http://www.homesystems-legrandgroup.com/BtHomeSystems/home.action)
- Per utilizzo senza neutro consultare la scheda tecnica al sito: [www.homesystems-legrandgroup.com/BtHomeSystems/home.action](http://www.homesystems-legrandgroup.com/BtHomeSystems/home.action)
- Zum Gebrauch ohne Nulleiter, siehe technisches Datenblatt unter: [www.homesystems-legrandgroup.com/BtHomeSystems/home.action](http://www.homesystems-legrandgroup.com/BtHomeSystems/home.action)
- Para usar sin neutro, consultar la ficha técnica en el sitio web: [www.homesystems-legrandgroup.com/BtHomeSystems/home.action](http://www.homesystems-legrandgroup.com/BtHomeSystems/home.action)



- Proteger con interruptor magnetotérmico 10 A
- Beschermen met een magnetothermische schakelaar van 10 A
- Proteger con interruptor magnetotérmico de 10 A

- Raadpleeg het technische blad op de website voor het gebruik zonder nuldraad: [www.homesystems-legrandgroup.com/BtHomeSystems/home.action](http://www.homesystems-legrandgroup.com/BtHomeSystems/home.action)
- Para a utilização sem o neutro, roga-se consultar a ficha técnica no sítio webs [www.homesystems-legrandgroup.com/BtHomeSystems/home.action](http://www.homesystems-legrandgroup.com/BtHomeSystems/home.action)



- Togliere l'alimentazione prima di ogni intervento sull'impianto. L'azionamento da remoto può causare danni a persone o cose.
- Switch the power supply OFF before any work on the system. Remote operation may cause damage to people or property.
- Couper l'alimentation avant toute intervention sur l'installation. L'actionnement à distance peut causer des dommages corporels ou matériels.
- Die Stromversorgung abtrennen, bevor an der Anlage gearbeitet wird. Die Betätigung von fern kann Personen- oder Sachschäden verursachen.
- Corte la alimentación antes de intervenir en el sistema. El accionamiento a distancia puede causar daños a personas o cosas.
- Verwijder de spanning alvorens werkzaamheden aan de installatie te verrichten. De aansturing op afstand kan persoonlijk letsel of materiële schade veroorzaken.
- Tirar a alimentação elétrica antes de qualquer intervenção sobre a instalação. O acionamento à distância pode causar danos às pessoas ou aos bens.

