

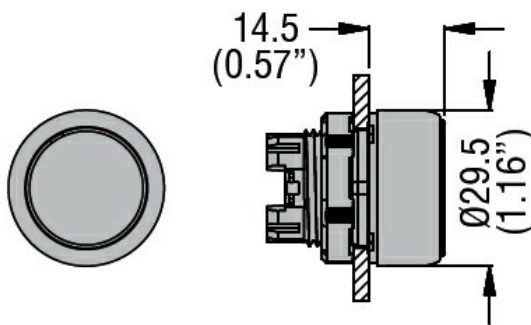


|   |                                    |                |  |
|---|------------------------------------|----------------|--|
| Product designation                       | Pushbutton actuator, spring return |                |  |
| Product type designation                  | LPCB30                             |                |  |
| <b>General characteristics</b>            |                                    |                |  |
| Colour                                    | Blue                               |                |  |
| Type of positions                         | Shrouded pushbutton                |                |  |
| Material                                  | Polyamide                          |                |  |
| IEC degree of protection                  | IP66, IP67 and IP69K               |                |  |
| <b>Mechanical features</b>                |                                    |                |  |
| Operating force                           | kg-lb                              | <0.5Kg / 1.1lb |  |
| Mechanical life - spring return actuators | cycles                             | 5000000        |  |
| Fixing                                    | Without mounting adapter           |                |  |
| Mounting adapter                          | LPXAU120                           |                |  |
| Weight                                    | g                                  | 27             |  |

|                          |                              |  |  |
|--------------------------|------------------------------|--|--|
| <b>UL technical data</b> |                              |  |  |
| UL degree of protection  | Type1, 2, 3R, 4, 4X, 12, 12K |  |  |

|                           |  |     |        |
|---------------------------|--|-----|--------|
| <b>Ambient conditions</b> |  |     |        |
| Temperature               |  |     |        |
| Operating temperature     |  | min | °C -25 |
|                           |  | max | °C +70 |
| Storage temperature       |  | min | °C -40 |
|                           |  | max | °C +85 |

**Dimensions**



**Certifications and compliance**

|            |                     |
|------------|---------------------|
| Compliance | CSA C22.2 n° 14     |
|            | IEC/EN/BS 60947-1   |
|            | IEC/EN/BS 60947-5-1 |

---

UL508

---

Certificates

CCC

---

cULus

---

EAC

---

RINA

ETIM classification

ETIM 8.0

EC000221 -  
Front element for  
push button