

Fiche produit

Article n° 96.033.6253.9

Connexion de périphériques RST20I3S B1 M91 BL0

RST 20i3/2 connexion de l'appareil (angle de 90°) M25, 3 pôles, femelle, connexion à vis, modulaire, application 250V/400V, 20A, codage couleur bleu clair, couleur du boîtier noir



Article n°	96.033.6253.9
EAN	4015573982819
Unité de commande	100 Piece(s)

certificats/approbations

Données techniques
Remarque

Remarque	Bande de fréquences
----------	---------------------

général

Courant nominal	20 A
Tension nominal	250 V / 400 V
Degré de pollution	3
Tension nominale d'impulsion	4 kV
emboîtable	auto-bloquant (déverrouillable par outil)
Couleur de codage / contact support	Lumière bleue
Marquage des pôles	1, 2, 3
Couleur de l'adaptateur séparé (s'il est présent)	noir

données de connexion

section du connecteur solide	6 mm ²
section solide 2	0,75 mm ²
pour les pièces à souder	6 mm ²
Section multifilaire 2	0,75 mm ²
termination par pôle	1
Longueur de la bande de fil	8 mm

Model

Model	bus
Type de connexion	Connexion à vis
raccordement par filetage métrique	M25
angle de connexion	Carré
Inclinaison	90 °
Degré de protection (IP)	IP66/68 (3m;2h) /IP69
Epaisseur des boîtiers (appareil électrique) 2	0,5 mm
Epaisseur des boîtiers (appareil électrique)	8 mm

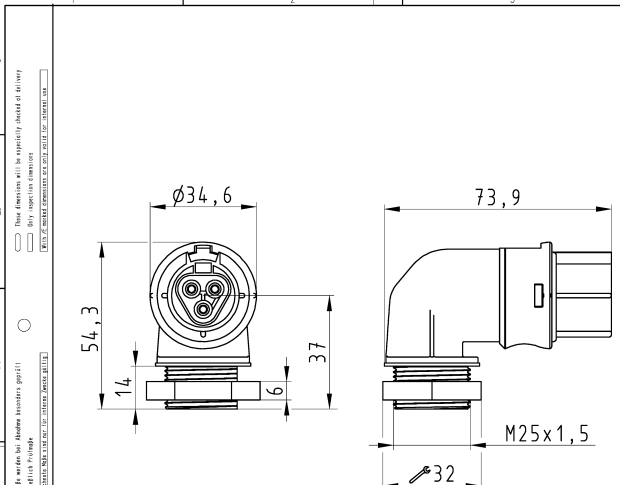
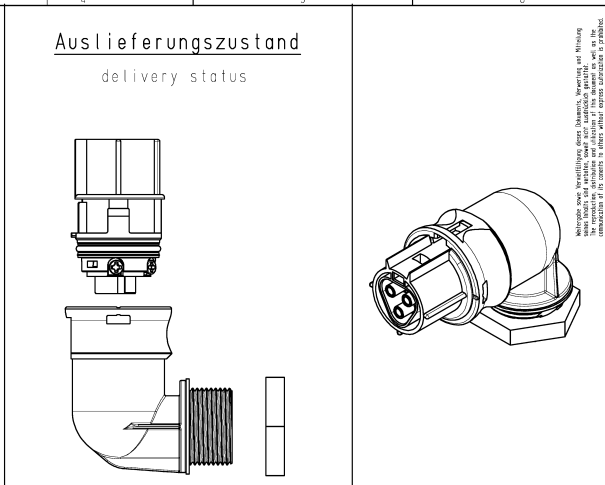

matériel

matière du boîtier	Polyamide
Sans halogène	Oui
matériau de contact	CuZn
résistance au feu	0,25 kWh
Isolation des composants à température continue	100 °C
Finition de surface	Plaqué argent

Dimensions

Longueur	73,4 mm
largeur	34,6 mm
hauteur	54,3 mm

Dessin technique

 <p style="font-size: small;"> 1. This drawing is for manufacturing. It is not to be used for assembly. (This drawing is for manufacturing. It is not to be used for assembly.) 2. This drawing is for manufacturing. It is not to be used for assembly. (This drawing is for manufacturing. It is not to be used for assembly.) 3. This drawing is for manufacturing. It is not to be used for assembly. (This drawing is for manufacturing. It is not to be used for assembly.) 4. This drawing is for manufacturing. It is not to be used for assembly. (This drawing is for manufacturing. It is not to be used for assembly.) 5. This drawing is for manufacturing. It is not to be used for assembly. (This drawing is for manufacturing. It is not to be used for assembly.) 6. This drawing is for manufacturing. It is not to be used for assembly. (This drawing is for manufacturing. It is not to be used for assembly.) </p>	<p style="text-align: center;">Auslieferungszustand delivery status</p>  <p style="font-size: x-small; text-align: right;"> 1. This drawing is for manufacturing. It is not to be used for assembly. (This drawing is for manufacturing. It is not to be used for assembly.) 2. This drawing is for manufacturing. It is not to be used for assembly. (This drawing is for manufacturing. It is not to be used for assembly.) 3. This drawing is for manufacturing. It is not to be used for assembly. (This drawing is for manufacturing. It is not to be used for assembly.) 4. This drawing is for manufacturing. It is not to be used for assembly. (This drawing is for manufacturing. It is not to be used for assembly.) 5. This drawing is for manufacturing. It is not to be used for assembly. (This drawing is for manufacturing. It is not to be used for assembly.) 6. This drawing is for manufacturing. It is not to be used for assembly. (This drawing is for manufacturing. It is not to be used for assembly.) </p>								
Verpackungseinheit: je 100 Stück packaging unit: per 100									
<table border="1" style="width: 100%; border-collapse: collapse;"> <tr> <td style="width: 20%;">96.033.6253.9</td> <td style="width: 20%;">RST2013S B1 M91</td> <td style="width: 20%;">BL07</td> <td style="width: 40%;">lichtblau / light blue</td> </tr> <tr> <td>Bestellnummer / Order number</td> <td>Typ / Type</td> <td></td> <td>Farbe / Color</td> </tr> </table>		96.033.6253.9	RST2013S B1 M91	BL07	lichtblau / light blue	Bestellnummer / Order number	Typ / Type		Farbe / Color
96.033.6253.9	RST2013S B1 M91	BL07	lichtblau / light blue						
Bestellnummer / Order number	Typ / Type		Farbe / Color						
Weitere Daten siehe KATALOG oder eCatalog. www.wieland-electric.com Additional data see CATALOG or eCatalog. eshop.wieland-electric.com									
Toleranzsystem: DIN ISO 1101 (2D) / Reference system: DIN ISO 1101 (2D) (This ISO-standard describes the envelope principle. According to the envelope principle the deviations of form and position are limited by the size tolerances.) Toleranzsystem nach ISO 1101 (2D) / Reference system: DIN ISO 1101 (2D) (This ISO-standard describes the envelope principle. According to the envelope principle the deviations of form and position are limited by the size tolerances.) Toleranzsystem nach ISO 1101 (2D) / Reference system: DIN ISO 1101 (2D) (This ISO-standard describes the envelope principle. According to the envelope principle the deviations of form and position are limited by the size tolerances.)									
General tolerance: CAD - Drawing, keine manuelle Änderungen. / First Use: - CAD - Drawing, no manual modifications allowed. / First Use: -									
Blatt: 1 von 1 Sheet: 1 of 1									
Maßstab: 1:1 Scale: 1:1									
Maßstab in mm / Dimensions are in mm									
Ersatzteil / Replacement part: -									
 BUCHSENTEIL_90GRAD female connector 90 degrees									
www.wieland-electric.com									