

#### Tool List:

- T25 Torx driver
- Tin Snips or Wire Cutters
- Hand File



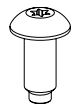
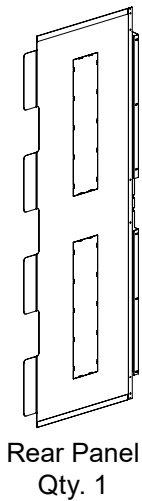
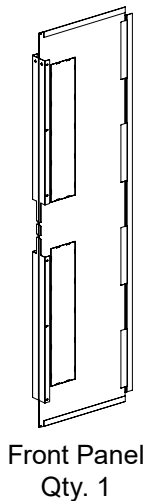
FLEXFUSION™ Day Two Side Panel PassThru Kit XG-SPBKIT Installed

Day Two Side Panel XG-SPD2\*\*\*\* Installed

FLEXFUSION™ Day Two Side Panels Front and Rear Panel can be reversed if needed.

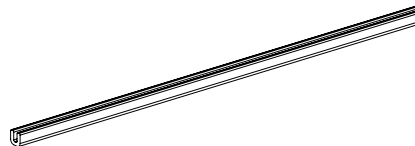
#### Front of Cabinets

#### Components Included XG-SPD2\*\*\*\*

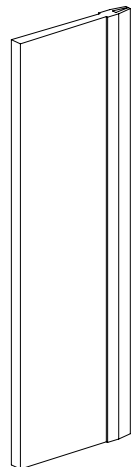


M5x0.8 x 12mm  
Button Head Torx Screw  
Qty: 24

#### Components Included XG-SPBKIT



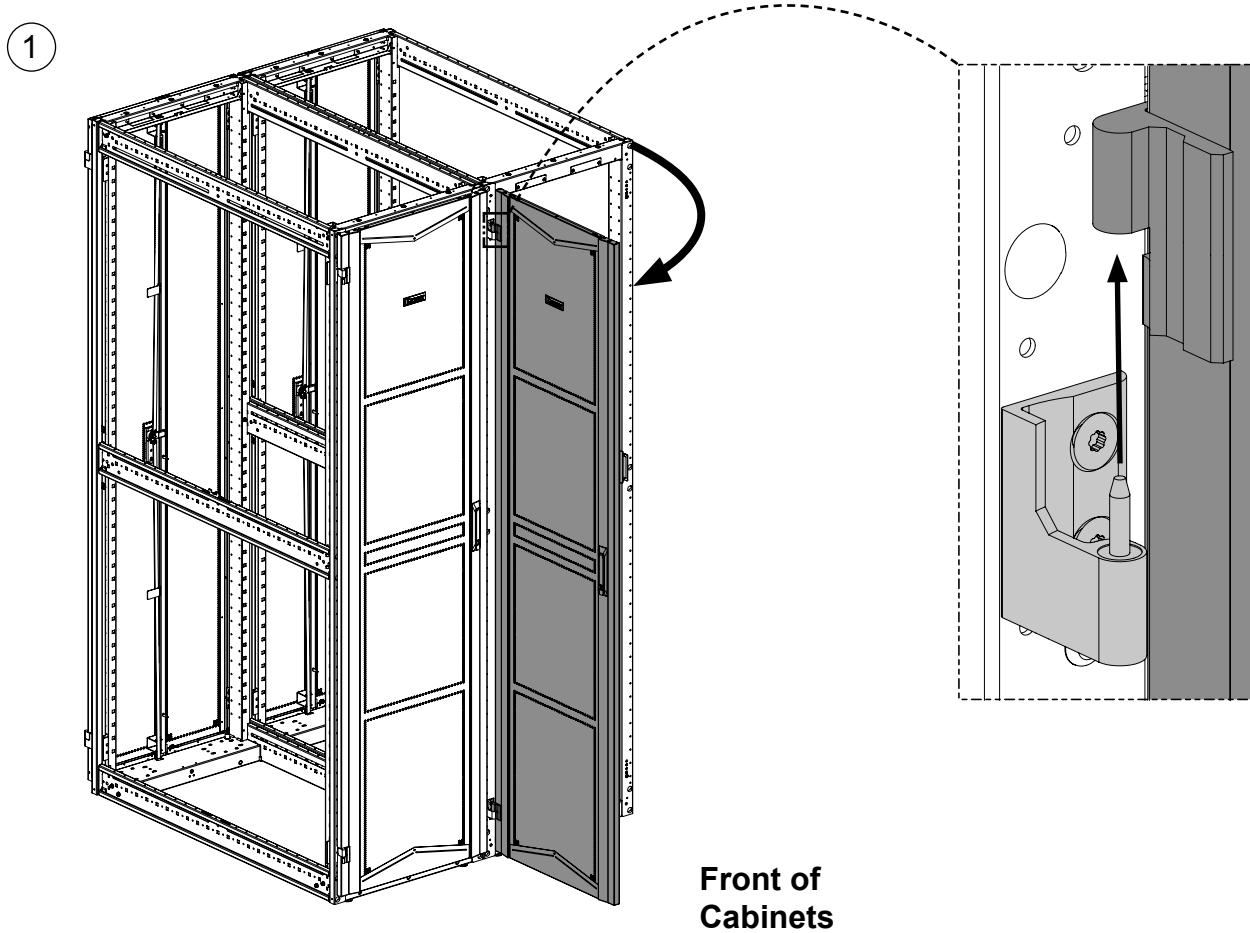
Grommet  
Qty. 2



Brush Seal  
Qty. 2

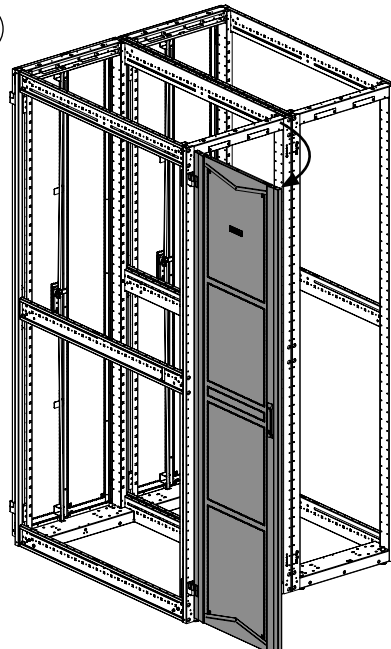
## **Prepare front of Cabinets for Installation of Front Panel**

- Position Door at approximately 90° to cabinet and lift up to remove Door.
- Open Front Door of left-side Cabinet to approximately 90°.



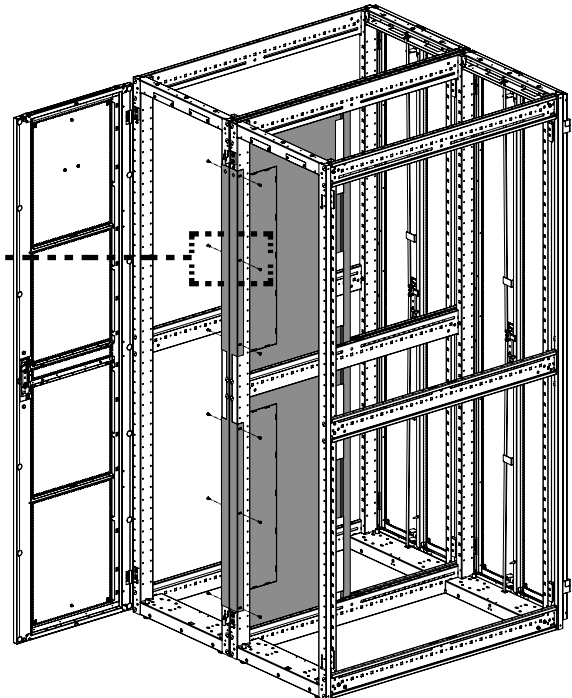
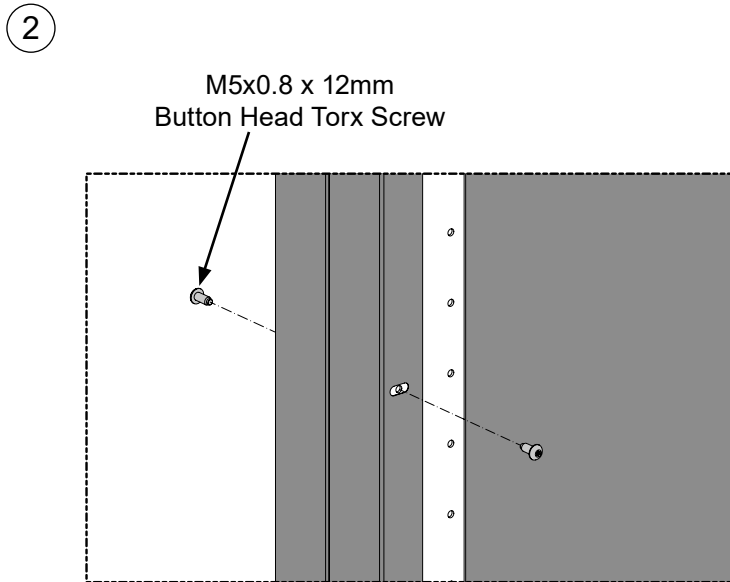
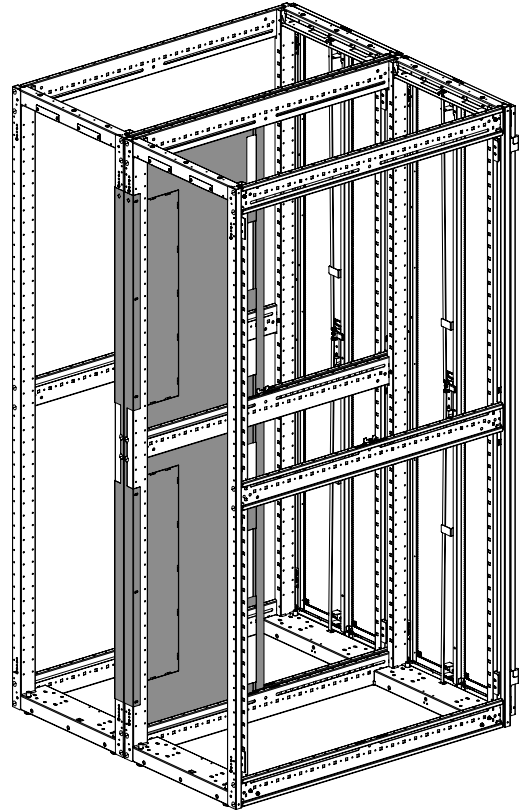
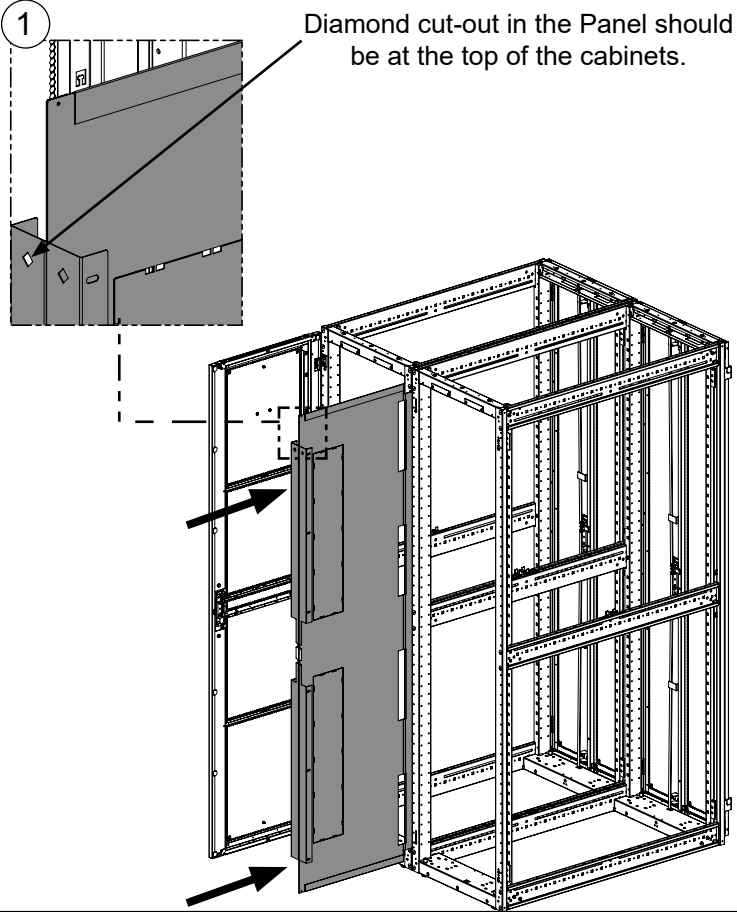
2

Open the Front Door of left-side Cabinet.  
*It is not necessary to remove  
the Front Door of left-side Cabinet.*



## Install Front Panel

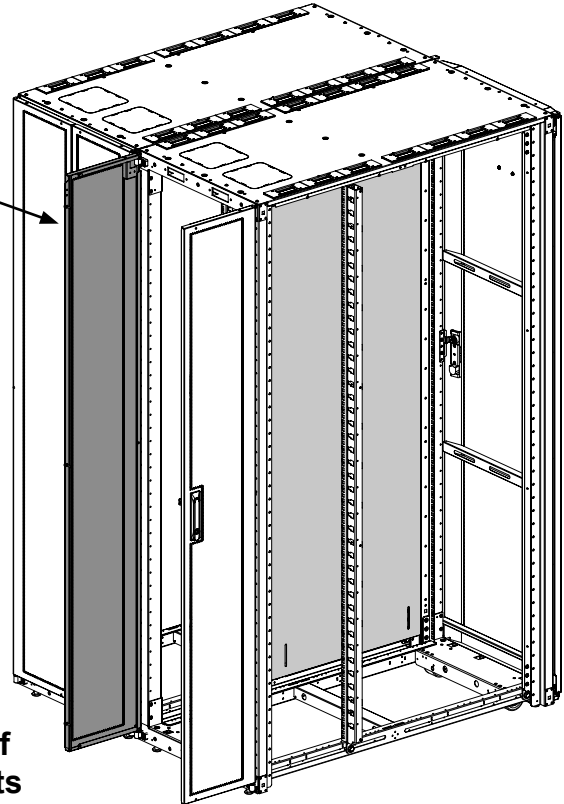
- Slide the Day Two Front Panel through the gap between the two cabinet post until the flanges contact the Cabinet Post.
- Secure Day Two Front Panel to Cabinet Posts with M5x0.8 x 12mm Button Head Torx screws through the side of Cabinet post.
- Re-install Right-side Door.



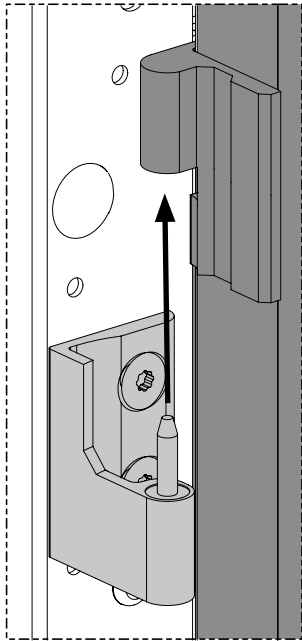
## **Prepare rear of Cabinets for Installation of Rear Panel**

- Open Rear Split Doors to approximately 90°.
- Remove the left-side Split Door from the right-side cabinet by lifting up.
- Remove the right-side Split Door from the left-side cabinet by lifting up.

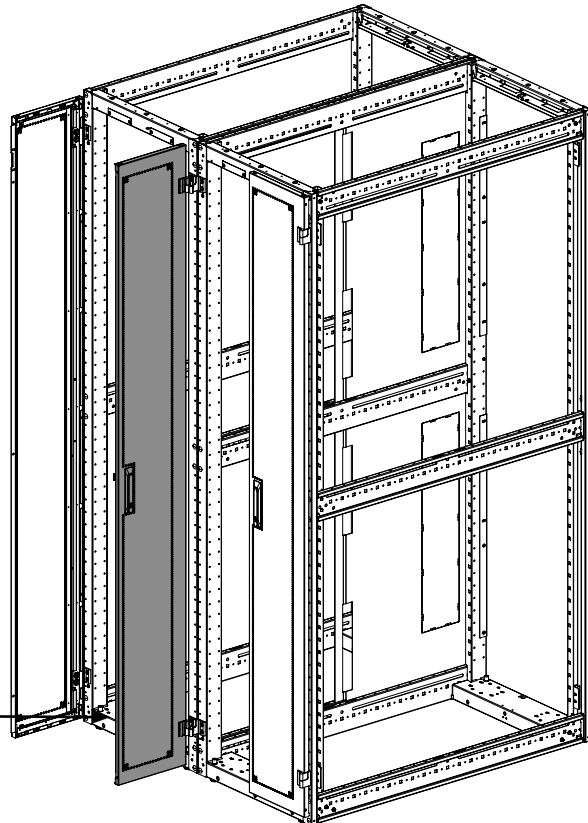
Remove left-side Split Door from the right-side cabinet.



**Rear of Cabinets**

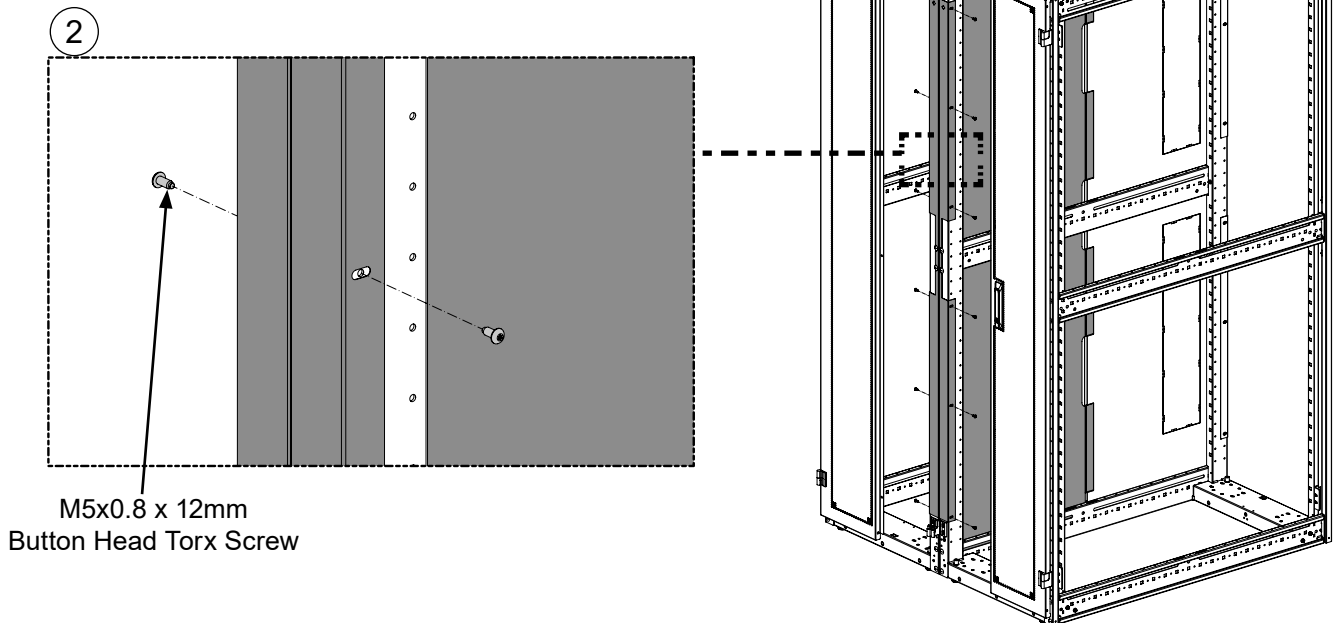
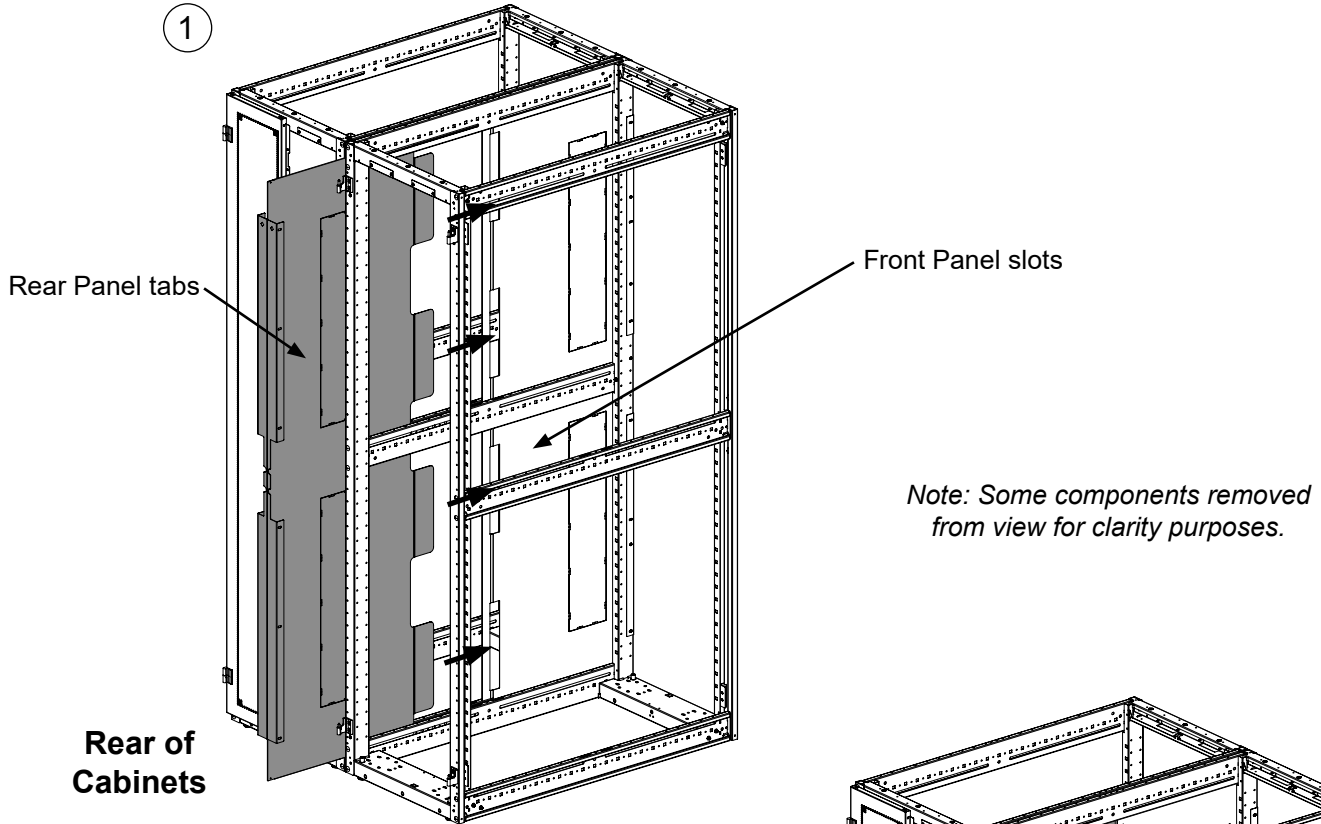


Remove right-side Split Door from the left-side cabinet.



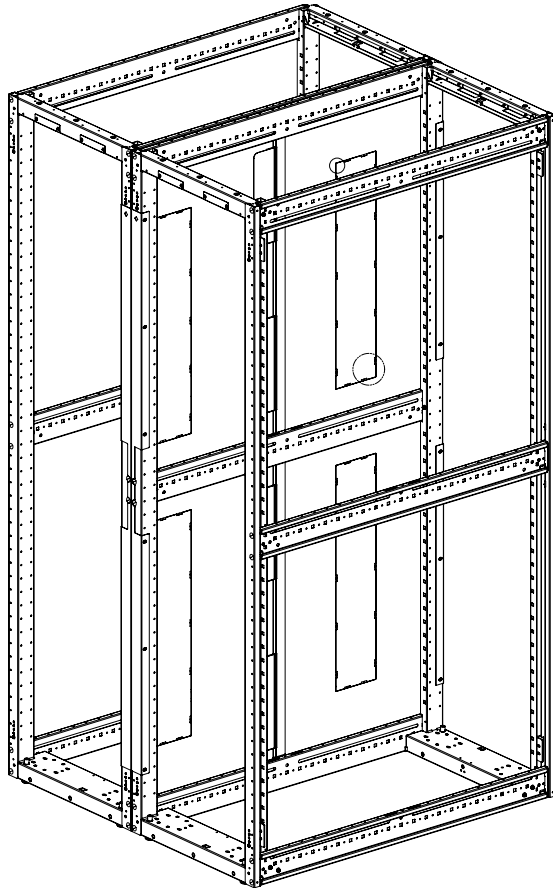
## Install Rear Panel

- Slide the Rear Panel through the gap between the two cabinet post and insert the Tabs from the Rear Panel into the slots of the Front Panel.
- Secure Rear Panel to Cabinet Posts with M5x0.8 x 12mm Button Head Torx screws.
- Re-install Split Doors.



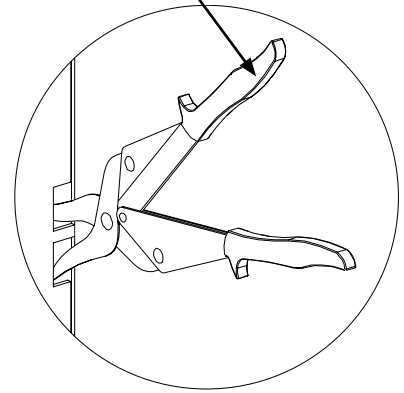
**Optional: Cut-out pass thru opening**

- Using tin snips or wire cutters, cut the (14) tabs and remove cut-out from side panel.
- File down any burrs left behind from cutting tabs of cut-out.



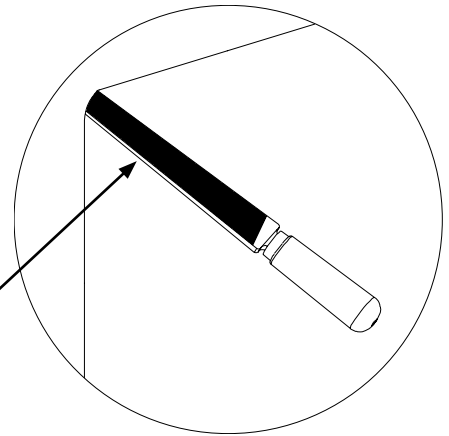
1

Tin snips or wire cutters



2

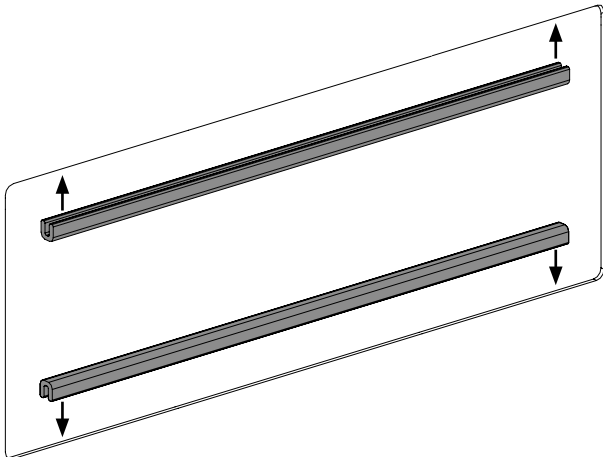
Hand File



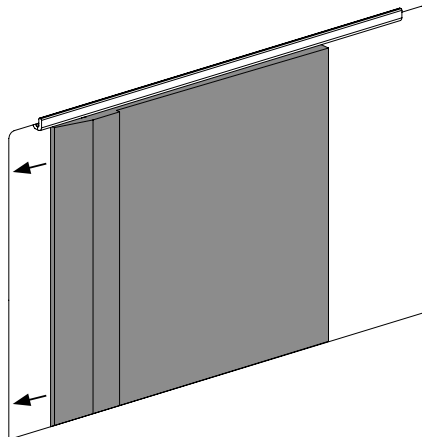
**Install Brush Seal PassThru Kit (XG-SPBKIT), sold seperately**

- Insert Grommets on top and bottom of cut-out
- Insert Brush Seals on left and right side of cut-out

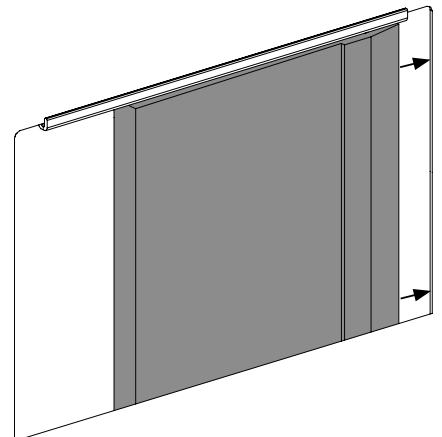
1



2



3



For Instructions in Local Languages and Technical Support:

[www.panduit.com/resources/install\\_maintain.asp](http://www.panduit.com/resources/install_maintain.asp)

**PANDUIT**

[www.panduit.com](http://www.panduit.com)

E-mail: [techsupport@panduit.com](mailto:techsupport@panduit.com)

Phone: 866-405-6654