

Part number

# MZFV 25 L220



Hood, IL-BRID series, with 2 pegs, M20 x 2 double top cable entry without adapter, size "66.16", high construction

## Product description

<b>Product type</b>	Hood
<b>Series</b>	IL-BRID
<b>Closing type</b>	With 2 pegs
<b>Size</b>	Size 66.16
<b>Cable entry</b>	Double top cable entry M20 x 2
<b>Specification</b>	High construction

## Technical data

**IP degree of protection** IP66 / IP67 / IP69

## Further technical details

<b>Weight</b>	145,00 g
<b>Operating temperature range (min, max)</b>	-40°C...+125°C

## Material properties

<b>Other materials</b>	Gasket: NBR
<b>Colour</b>	RAL 7040 grey
<b>RoHs conformity</b>	Compliant
<b>China RoHs - EFUP</b>	E
<b>REACH SVHC substances</b>	No

## Approvals / Standards

<b>UL</b>	ECBT2
<b>cUL</b>	ECBT8

## General ordering information

<b>EAN13 code</b>	8015747115322
<b>eCl@ss 8.1</b>	27440202
<b>ETIM 7.0</b>	EC000437

## Packaging Information

<b>Packaging length</b>	225,00 mm
<b>Packaging height</b>	130,00 mm
<b>Packaging width</b>	150,00 mm
<b>Packaging weight</b>	1,66 kg
<b>Packaging volume</b>	4,39 dm <sup>3</sup>
<b>Packaging description</b>	Carton box
<b>Packaging quantity</b>	10 Pcs
<b>Packaging EAN code</b>	8015747289382
<b>Sub-packaging weight</b>	0,83 kg
<b>Sub-packaging description</b>	Plastic packaging
<b>Sub-packaging quantity</b>	5 Pcs
<b>Sub-packaging EAN barcode</b>	8015747289399

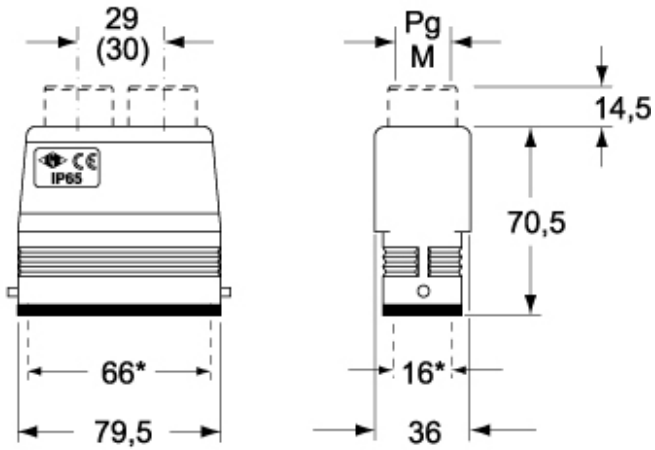
Part number

# MZFV 25 L220

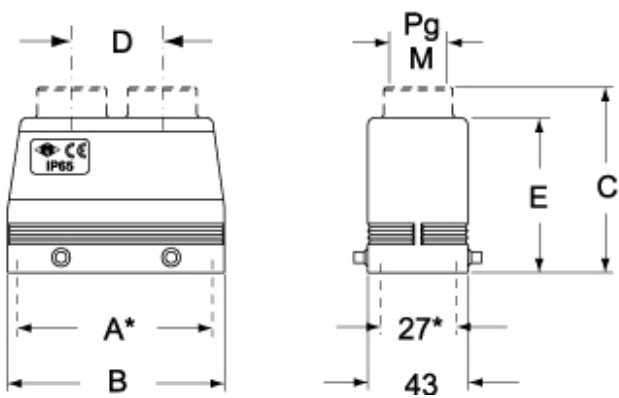


Catalogue drawings

**CZAV L2 - (MZAV L2) - [MZFV L2]**



**CAV - MAV - MFV**



## Notes

Dimensions shown in mm are not binding and may be changed without notice.