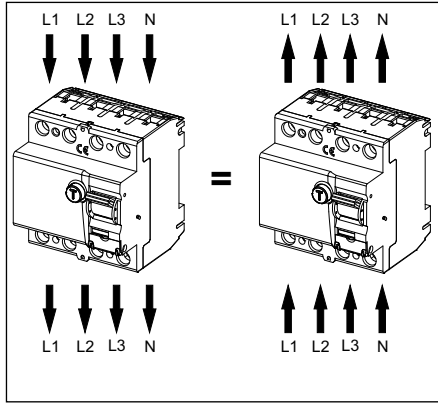
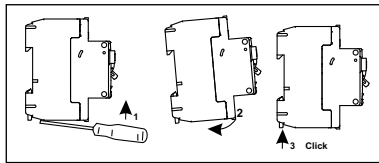
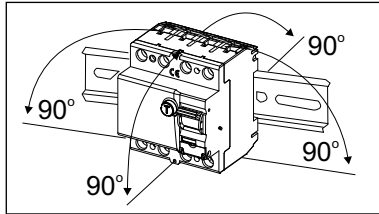


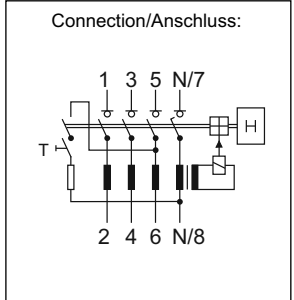
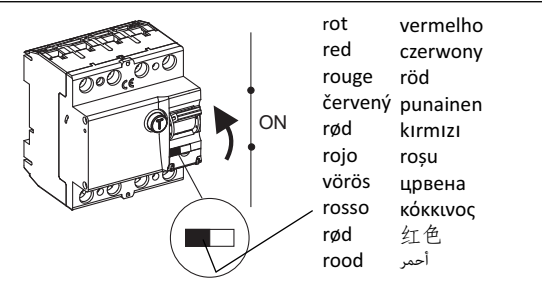
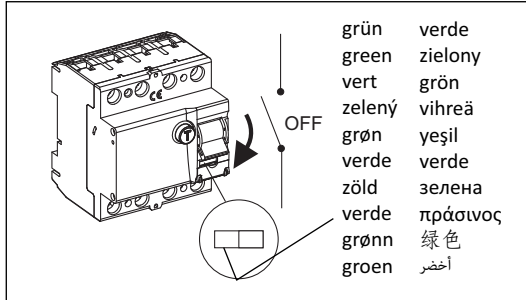
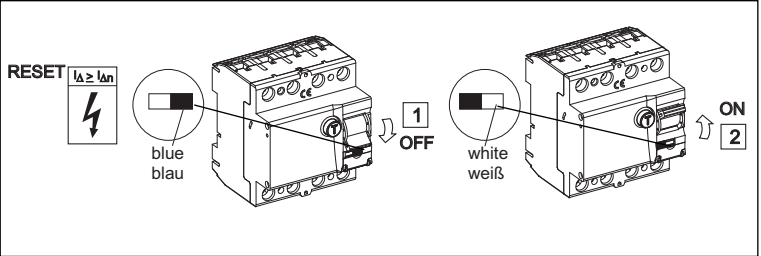
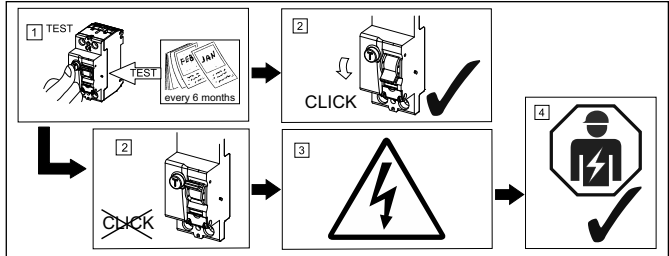
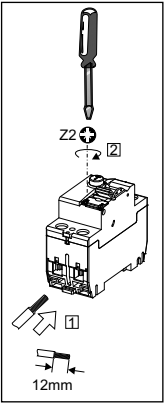
FRCmM-NA



Maximum back-up fuse/Max. zulässige Vorsicherung
 $I_n = 25-63A \quad 63 A \text{ gG/gL}$

1, 2, 3, 4, 5, 6, N, N:
1,5 - 35mm² Cu only
2,5 - 35mm² Flexible Cu cable
2 - 2,4Nm Twist! without ferrule

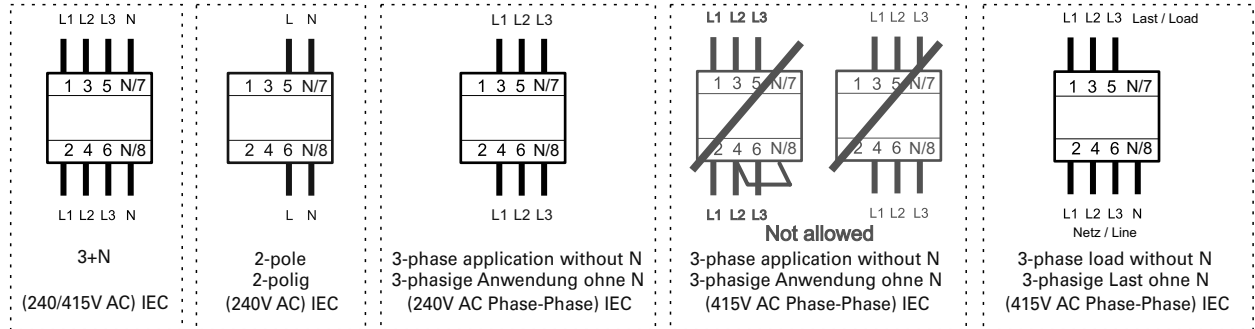
Extension UL1053 RCD:
Supplementary Protector USA/Canada
Technical Data UL 1053
3 phase (series-fuse 63 A): at 30°C
5 kA - 480Y/277V ~ 60 Hz Cu 75°C, min. AWG 14,
(fault current) max. AWG 6, Nm 4



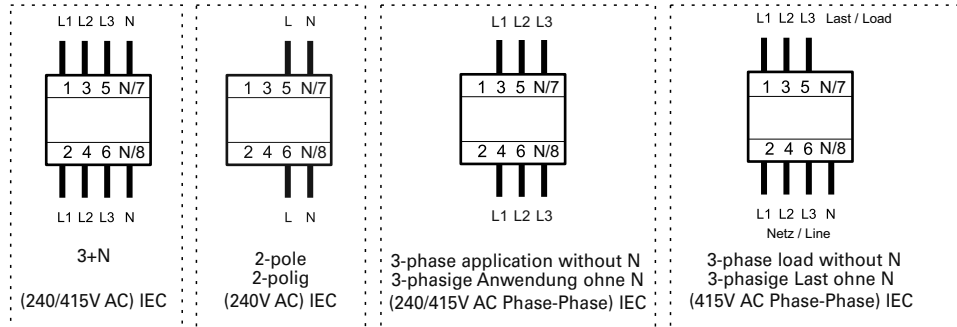
FRCmM-NA

4-pole acc. to IEC61008

30mA Types / Typen:

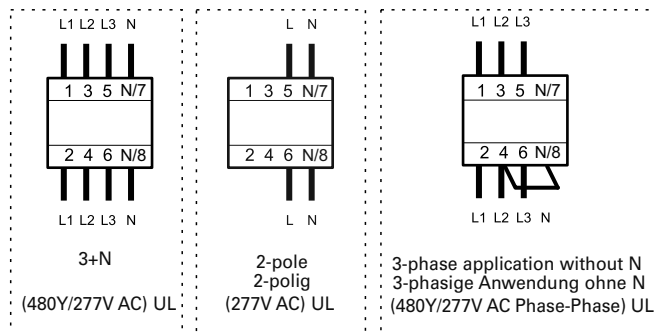


300mA Types / Typen:



4-pole acc. to UL1053

30, 300mA Types / Typen:



FRCmM-NA-110

30, 300mA Types / Typen:

