

PAR30L 18.5W



OUTPUT RANGE: VIVID SERIES 930 - 1000 lumen

BEAM ANGLE RANGE 9°, 25°, 36°

COLOR TEMPERATURE RANGE 2700K, 3000K

APPLICATION Halogen replacement for indoor & outdoor applications



230V



E27



DIM



IR



UV



POINT SOURCE OPTICS

Exceptional beam control enables unique 9° narrow spot and smooth uniform beams

Single light source, single crisp shadow

VP₃ VIVID COLOR AND VP₃ NATURAL WHITE

VIVID series provides accurate color rendering across the visible spectrum from 400nm to 700nm, with CRI/95, R9/95, Rf/90, Rg/100

Whiteness rendering matches or exceeds that of halogen and incandescent sources at 2700K and 3000K

ENERGY EFFICIENCY AND LONG LIFE

85% more energy efficient than standard halogen lamps

Typical payback of one year or less

Rated lifetime to L70: 35,000hrs

Warranty: 3yrs or 25,000hrs whichever comes first

Detailed warranty information available at soraa.com/resources/legal

CERTIFICATIONS

RoHS, CE



RoHS CE

GENERAL SPECIFICATIONS

Form Factor

Width: 96mm (3.78")

Height: 113mm (4.45")

Weight: 295g

Operating Temperature

Minimum: -40°C (ambient)

Typical: 70°C - 80°C (base)

Maximum: 90°C (base)

Electrical

Wattage: 18.5W

Power factor: 0.95

Voltage: 230V +/- 23V

Frequency: 50/60Hz

Dimming and Flicker

Dimmable to <20%

Flicker Index: <0.1

Percent Flicker: 28%

HIGHLY COMPATIBLE

Narrow spot compatible with Soraa SNAP System accessories

Thermally and geometrically compatible with standard fixtures and suitable for damp locations

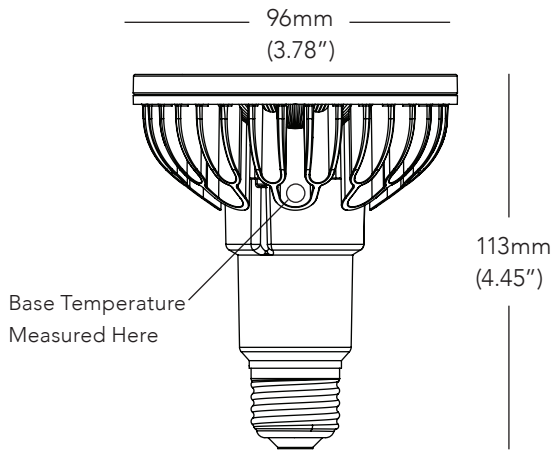
Works with trailing edge and leading edge phase cut dimmers (see www.soraa.com/resources)

INTENDED USE AND APPLICATIONS

Intended for use in PAR30L compatible recessed downlights, track lighting and other indoor and outdoor applications

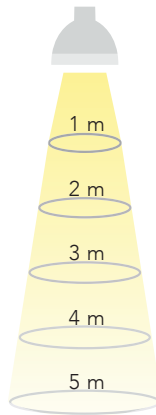
Soraa lamps are designed to safely turn down in any thermal environment not conducive to minimum airflow or proper ventilation

DIMENSIONS

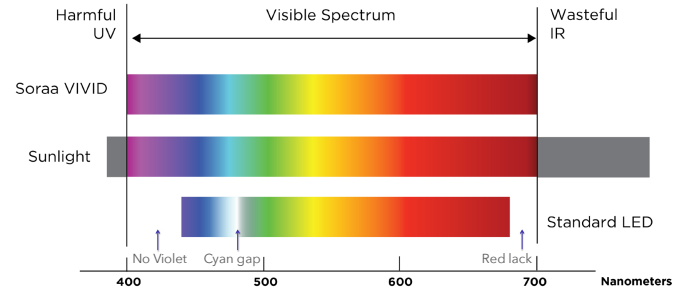


9 DEGREE BEAM

Beam Dia at 50% Intensity (m)	Field Dia at 10% Intensity (m)	Lux (% of Intensity)
0.2	0.3	77%
0.3	0.6	23%
0.5	0.8	11%
0.6	1.1	6%
0.8	1.4	4%

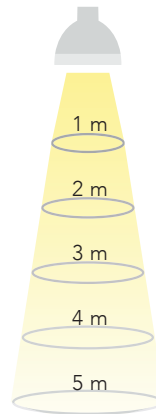


COLOR RENDERING



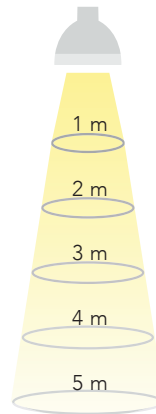
25 DEGREE BEAM

Beam Dia at 50% Intensity (m)	Field Dia at 10% Intensity (m)	Lux (% of Intensity)
0.4	0.7	77%
0.9	1.5	23%
1.3	2.2	11%
1.8	2.9	6%
2.2	3.6	4%



36 DEGREE BEAM

Beam Dia at 50% Intensity (m)	Field Dia at 10% Intensity (m)	Lux (% of Intensity)
0.6	1.2	77%
1.3	2.3	23%
1.9	3.5	11%
2.6	4.6	6%
3.2	5.8	4%



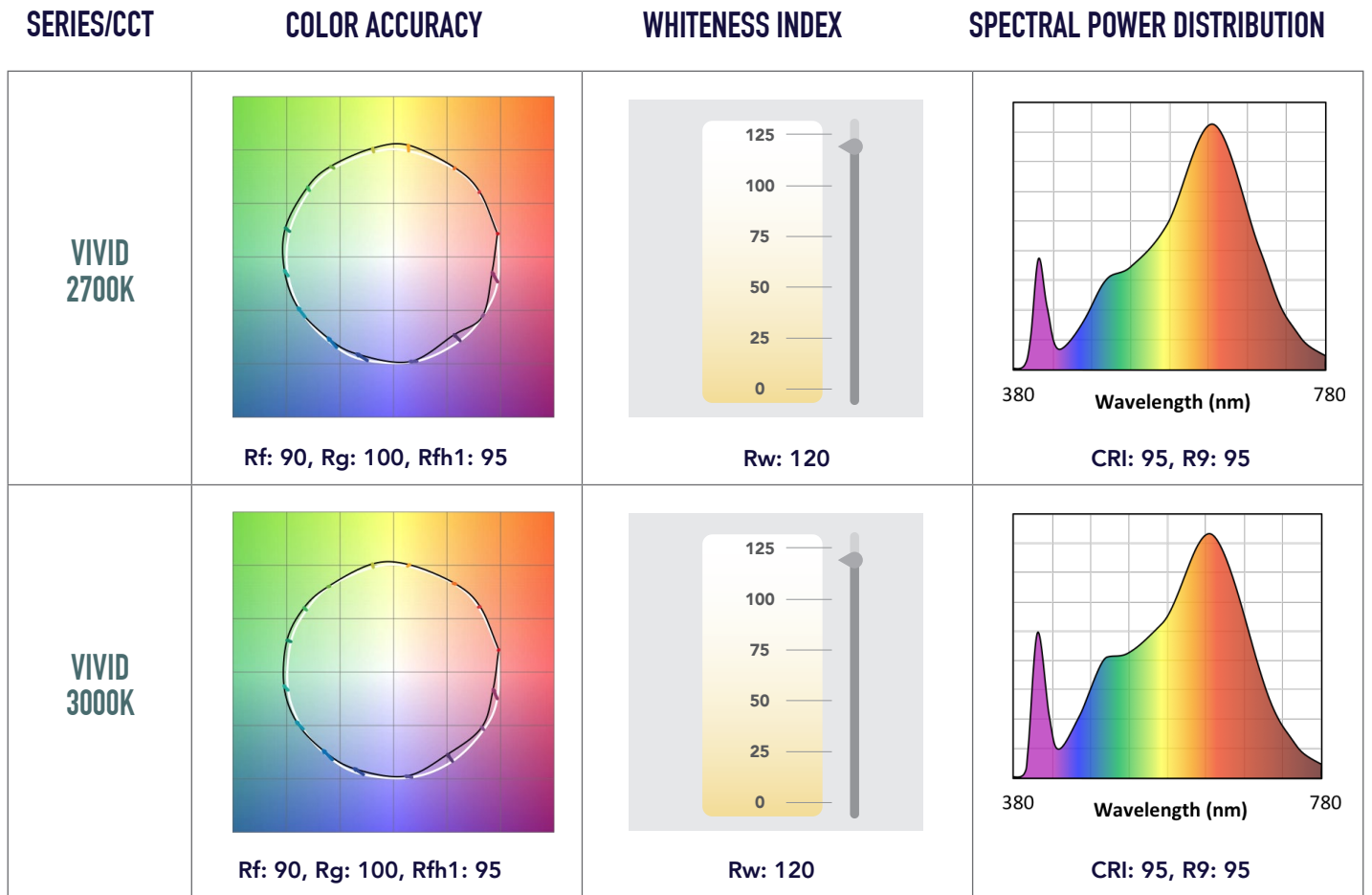
Note: Lux may be calculated by multiplying the peak Intensity of the desired model number by the percentage in the tables above

SPECIFICATIONS BY MODEL NUMBER* SORAA LED PAR30L 18.5W

Model #	Product Code	CCT (K)	Beam Angle	Field Angle	Peak Intensity	Total Flux (Lm)	Efficacy (Lm/W)	90° Lumens	McA	EI	SNAP
VIVID SERIES											
SP30LW-18-09D-927-03-S3	01855	2700	9	16	17200	930	50	890	3	A	YES
SP30LW-18-25D-927-03-S3	01857	2700	25	40	5020	930	50	890	3	A	-
SP30LW-18-36D-927-03-S3	01859	2700	36	60	2320	930	50	900	3	A	-
SP30LW-18-09D-930-03-S3	01871	3000	9	16	18500	1000	54	960	3	A	YES
SP30LW-18-25D-930-03-S3	01873	3000	25	40	5400	1000	54	960	3	A	-
SP30LW-18-36D-930-03-S3	01875	3000	36	60	2500	1000	54	970	3	A	-

CCT: Correlated Color Temperature **McA:** White Point Accuracy in McA step **SNAP:** SORAA SNAP System Compatible **EI:** Energy Efficiency Index

*Specifications are at stable warm operating conditions (25°C ambient)



Rf: TM-30 metric measuring color fidelity (whether colors are similar to those under natural light). Rf is a more accurate version of the CRI Ra. Rf is 100 for natural light.

Rg: TM-30 metric measuring color gamut (whether colors are more saturated than under natural light). Rg is 100 for natural light.

Rfh1: TM-30 metric measuring color fidelity for red tones. Rf is a more accurate version of the CRI R9. Rfh1 is 100 for natural light.

Rw: Soraa-developed metric to measure white fidelity. Rw measures the magnitude of excitation of whitening agents within whites. Rw is about 100 for natural light.