

2
PACK



HIGH COLOR QUALITY, ENCLOSED FIXTURE COMPATIBLE LED LAMP FOR USE IN MR16-GU10 COMPATIBLE DOWNLIGHTS AND OTHER INDOOR AND OUTDOOR APPLICATIONS

OUTPUT RANGE 400 lumen

BEAM ANGLE 36°

COLOR METRICS CCTs: 2700K
Color Rendering
CIE Metrics: CRI 80, R9 90

APPLICATION Halogen replacement for applications that require low or no blue in the spectrum



zero blue



dimmable



230V AC



GU10



damp rated

ZEROBLUE WITH 100% VISUAL APPEAL

THE SLEEP-FRIENDLY LIGHT THAT LOOKS AS GOOD AS IT FEELS

We designed Soraa HEALTHY™ lamps with our unique Soraa ZEROBLUE™ technology, which means your body recognizes the time for sleep as nature intended. Evenings are more restful, your body relaxes, and sleep comes more easily.

SORAA ZEROBLUE TECHNOLOGY

Soraa HEALTHY lamps have no blue content in the spectrum (as opposed to just dimming the light and producing a warmer tone) so there is no overexposure to blue light in the evening which can negatively impact our sleep cycles and longer-term health.

Soraa's patented ZEROBLUE technology advances LED science by creating an emitter of high-quality white light without blue radiation. Based on Soraa's world leading violet LEDs, Soraa combines an engineered mix of green and red phosphors to produce a spectrum with a wide gap in the blue range.

Soraa HEALTHY lamps not only provide circadian-health benefits of no blue content to support better sleep and healthy environments, but they also retain a beautiful, white light quality, making these lamps functional for any space.

FLICKER

Soraa lamps demonstrate low levels of flicker in both dimmed and undimmed states.

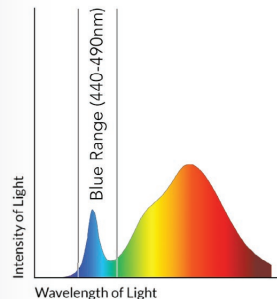
THERMALLY COMPATIBLE

Suitable for use in fully enclosed fixtures, subject to the maximum heatsink temperature limits stated in this data sheet. A list of qualified enclosed fixtures can be found at www.soraa.com/resources. Soraa lamps are designed to safely turn down in any thermal environment not conducive to minimum airflow or proper ventilation.

ELECTRICALLY COMPATIBLE

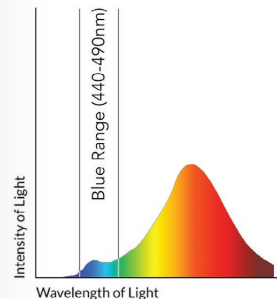
Works with trailing edge and leading edge phase cut dimmers. A list of compatible dimmers and transformers can be found at www.soraa.com/resources/compatibility.

STANDARD LED – large blue peak



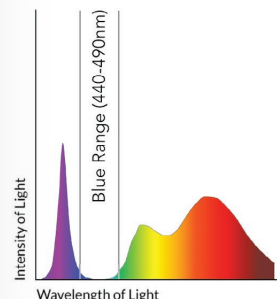
Faded colors and whites

SLEEP LED – reduced blue, unnatural yellow



Unnatural yellow tint

SORAA ZEROBLUE LED – soft white light with no blue



Beautiful colors and whites

LIFETIME AND WARRANTY

Rated lifetime to L70: 25,000 hours
 Warranty: 3 years or 25,000 hours whichever comes first
 Detailed warranty information available at:
sora.com/resources/legal

LOCATION RATING

Suitable for damp locations
 Not rated for use in wet locations, should not be exposed to liquid water (including condensation).

OPERATING TEMPERATURE

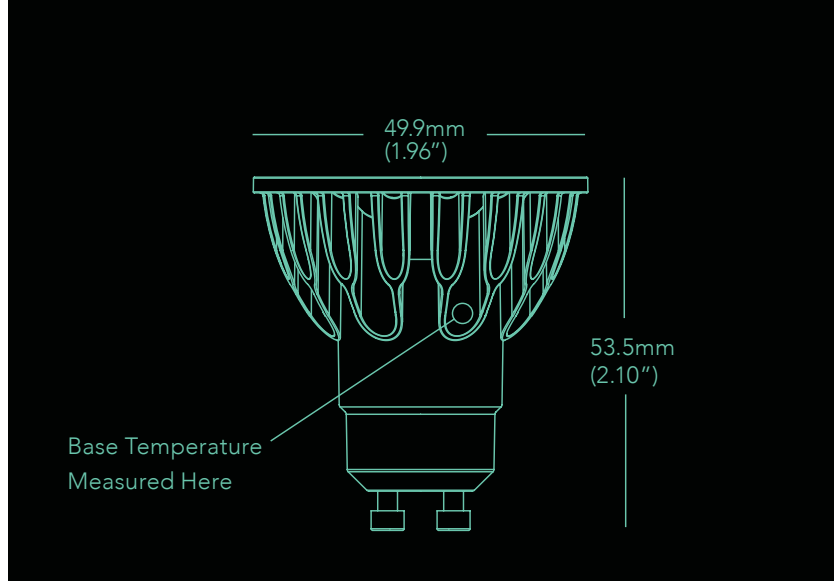
Minimum: -40° C (ambient)
 Typical: 85° C - 95° C (lamp base)
 Maximum: 100° C (lamp base)

ELECTRICAL SPECIFICATIONS

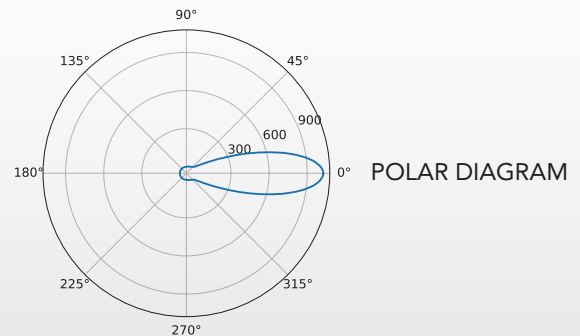
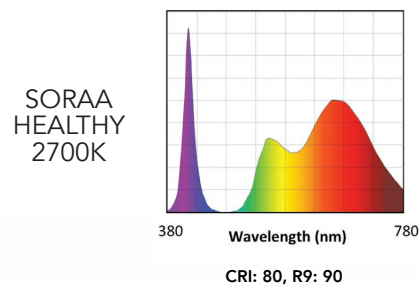
Wattage: 7.5W
 Voltage: 230V +/- 12V
 Frequency: 50/60 Hz
 Power Factor: 0.95
 Dimmability: <20%
 Flicker Index: <0.08
 Percent Flicker: <30%

CERTIFICATIONS

UL/CUL
 FCC Title 47 Part 15B
 RoHS



SPECTRAL POWER DISTRIBUTION



Model Number	Product Code	CCT (K)	Total Flux (Lm)	Beam Angle (°)	Halogen Equiv (W)**	Efficacy (Lm/W)	CRI/R9	White Point (McA)
--------------	--------------	---------	-----------------	----------------	---------------------	-----------------	--------	-------------------

HEALTHY SERIES

SH-MR16G-07-36D-27-01-X2	04694	2700	400	36°	50	53	80 / 90	3
--------------------------	-------	------	-----	-----	----	----	---------	---

*Specifications are at stable warm operating conditions (25°C ambient) **Energy Star Minimum

CCT = Correlated Color Temperature CRI = Color Rendering Index (Ra-8) White Point = White Point Accuracy in McA step

Soraa HEALTHY lamps are available in the following form factors: A60 – A19 – BR30 – MR16 – GU10 <https://www.soraa.com/products/lamps>