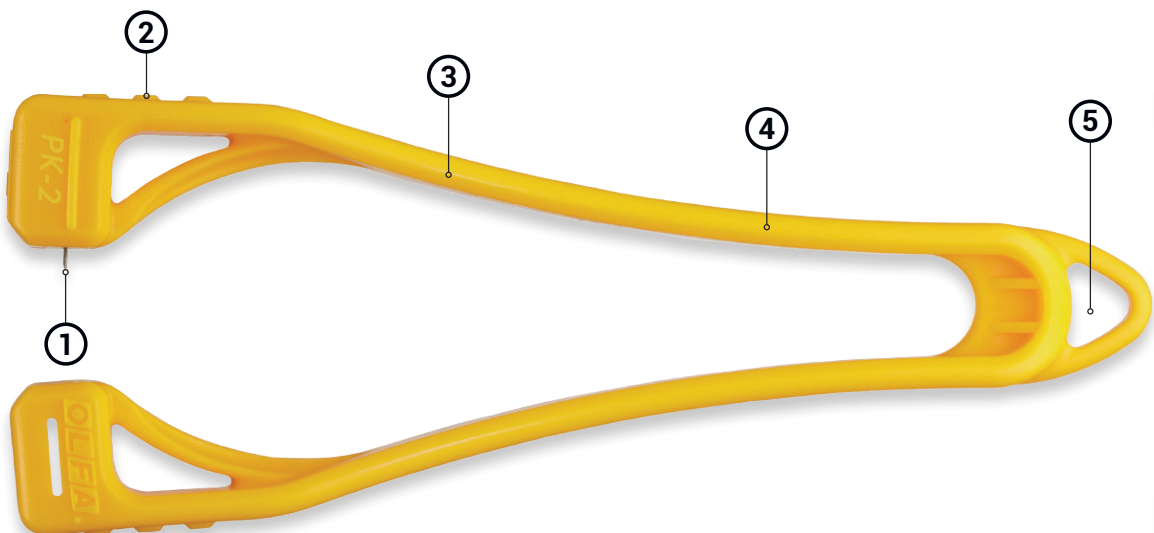




PK-2 Disposable Bag Cutter



- ① Recessed stainless-steel blade easily slices through bagged goods while protecting user from blade exposure
- ② Textured grip prevents slips
- ③ Simple squeeze action for ease of use
- ④ Durable, high-visibility yellow plastic handle
- ⑤ Hang hole for storage



Food-service



Bag-cutting and packaging materials



Symmetrical design for both right- and left-handed users

PK-2

Disposable Bag Cutter

SPECIFICATIONS »

DIMENSIONS »

Length: 101.90mm / 4.01"

Width: 42.80mm / 1.69"

Thickness: 21.00mm / .83"

Cutting Depth: 2mm / 0.08"

Grip Opening: 40mmx28mm / 1.575"x1.1"

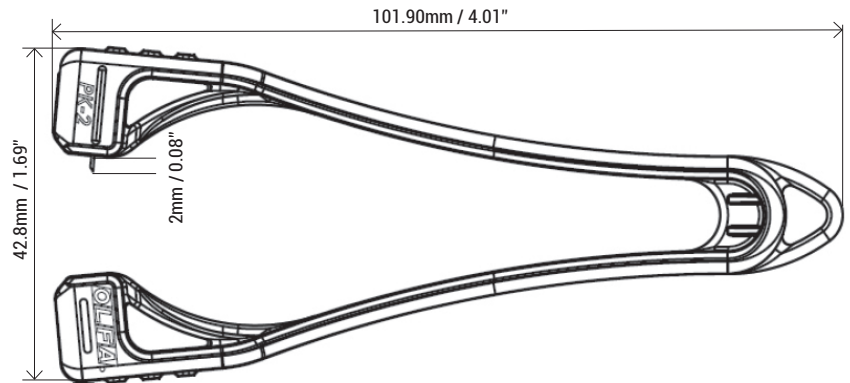
WEIGHT »

17g / 0.037 lb

MATERIAL »

Handle: Polyacetal (Polyoxymethylene/POM) Resin

Blade: Stainless Steel



FEATURES & BENEFITS »

LIMITED BLADE EXPOSURE

For increased safety

Recessed stainless-steel blade shields users from blade

Ultra-sharp blade easily slides through vacuum-packed bags or liquid bags

SIMPLE SQUEEZE ACTION

Textured grip prevents slips

For right- or left-handed users

DURABLE PLASTIC HANDLE

Dispose when blade is spent

Bright yellow color ensures visibility

TETHER OR STORE

Hang hole allows for portability or safe storage

TYPES OF MATERIALS »

BAG TYPES:

Cuts many types of bags including foil, glassine, nylon, paper, plastic, retort pouches, Tyvek, vacuum sealed, and more.

USES »

Food-service

Industrial applications

Retail use

Bag-cutting and packaging materials

ORDERING DETAILS »

SKU	Item #	Description	UPC	Inner	Master
PK-2	1141752	Disposable Bag Cutter	0 91511 23130 4	20	200

PACKAGING OPTIONS »



BLADE REPLACEMENT »

Blade is not replaceable

Imported by
OLFA North America Inc.
2115 South Service Rd. W. Box #3,
Oakville, ON, Canada L6L 5W2

Distributed by
OLFA U.S.A. Inc.
5201 E. U.S. Hwy 36, Suite 213
Avon, IN 46123

Made in Japan

©2025 OLFA North America Inc. / OLFA U.S.A. Inc. OLFA® is a registered trademark of OLFA Corporation and used under license by OLFA North America, Inc. and OLFA U.S.A. Inc.

1-833-663-6532 | olfa.com

