



Manhattan 50

STYLE

Bench

CODE

835

WEIGHT

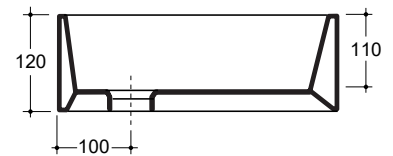
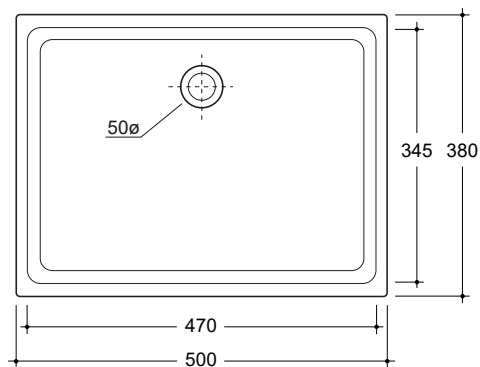
15 kg

COLOURS

White, Externally glazed.

OVERFLOW & WASTE

32mm non-overflow plug and waste not included.



MANHATTAN 50