



**STUDIO BAGNO**

**CLEANMAX**  
ANTI-BACTERIAL  
SELF CLEANING GLAZE

**WATER RATING**  
www.waterrating.gov.au

**3.5** litres  
average flush  
4.5 L per full flush / 3 L per half flush

In accordance with AS/NZS 6400  
Licence No. 0433  
Studio Bagno PTY LTD

## MANHATTAN HI LINE

### STYLE

Rimless Back to Wall Toilet Suite

### CODE

MHL001  
MHL001/BI (Bottom Inlet)

### WEIGHT

(Pan) 41 kgs, (seat) 3kgs  
(Cistern) 12 kgs

### COLOURS

White

### INCLUSIONS

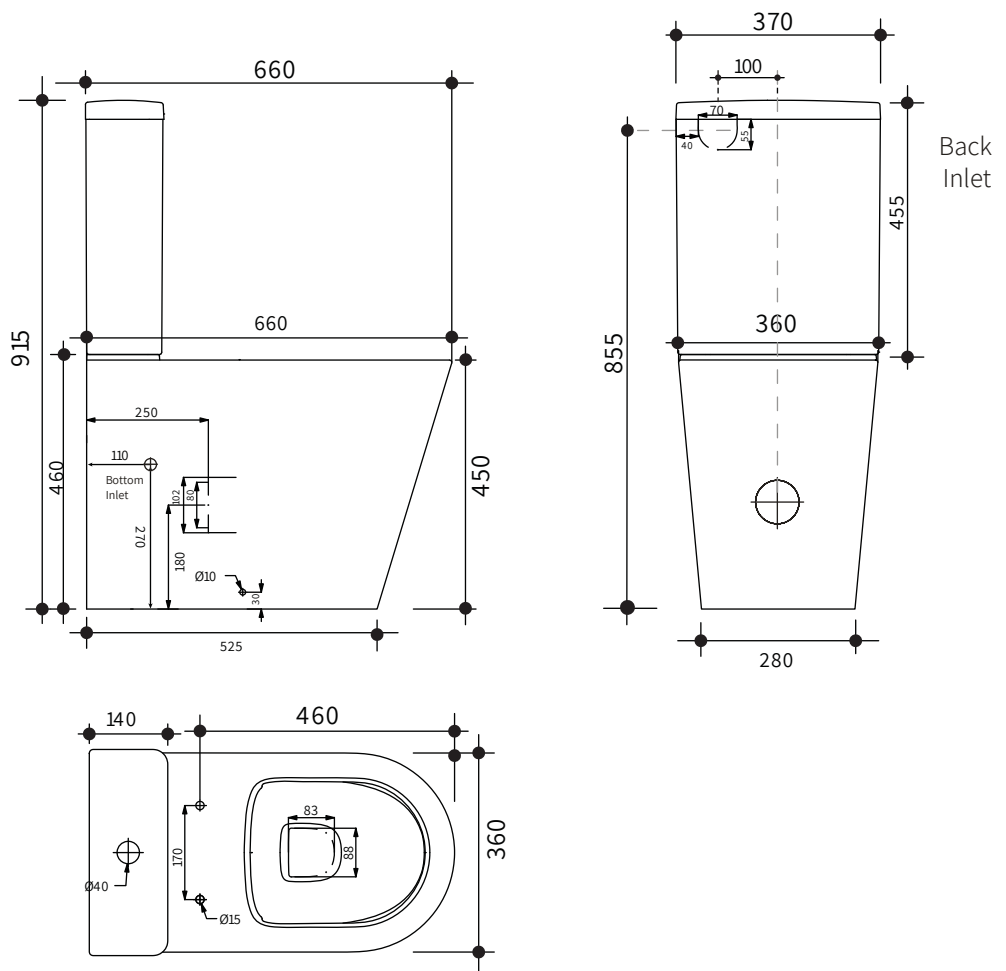
Connector, soft close seat  
N.B. S-trap connector supplied  
as standard

### NOTES

Set out 75-175 mm (S-Trap)  
Suitable for S-Trap or P-Trap  
Installation

Cleanmax nano glaze anti bacterial  
surface technology.

Ambulant compliant.



Note: All dimensions are in millimetres and are subject to normal manufacturing variances.  
Studio Bagno Pty Ltd reserves the right to vary specifications at any time without notice. Date created: 23/02/2023