



## Monolith Wall Faced Toilet

### STYLE

Wall Faced Toilet

### CODE

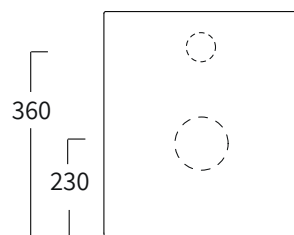
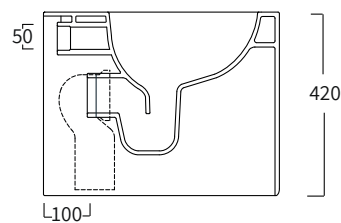
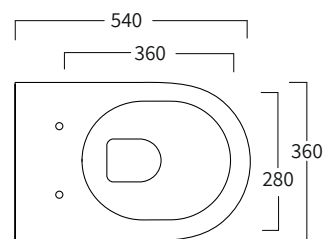
MON002

### COLOURS

Gloss White

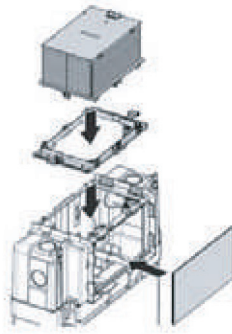
### INCLUSIONS

Connector, Soft Close Seat  
N.B. S-Trap connector supplied  
as standard





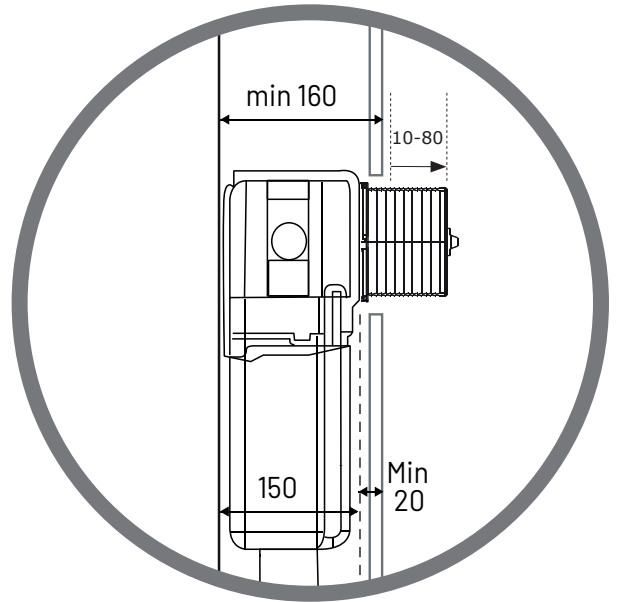
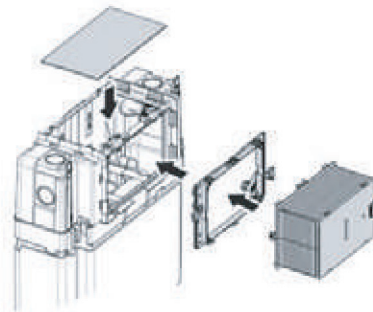
**Top Access**



Minimum of 160 mm from rear of cistern to front edge of finished wall surface

Min. projection of 10mm - Max. projection of 80mm of tile flange box required prior to trimming to accommodate

**Front Access**



**NOTE**  
See next page for compatible actuators

**Expert Evo**  
LOW LEVEL/  
UNDER BENCH CISTERN

**CODE**

721006/PN  
(if used with pneumatic actuators)

721006/MC  
(if used with mechanical actuators)

**WEIGHT**

4.5 kg

**FEATURES**

- Dual flush under bench cistern with 4.5/3 litre flush
- 150 mm thickness
- 4-Star WELS rating
- Top or front activation/access
- Supplied with anti-condensation lining
- Stop Cock included
- Brackets for in-wall fixing
- Dust/Tiling protection box
- Protection sponge provided for flush pipe
- 1/2" Flexible hose connection
- 10 Year Warranty
- Manufactured in Europe
- Pneumatic actuator kit included

Minimum thickness from front of cistern to the front face of wall to be at least 20mm

**WELS RATING**

