



Monolith Wall Hung Toilet

STYLE

Wall Hung Toilet

CODE

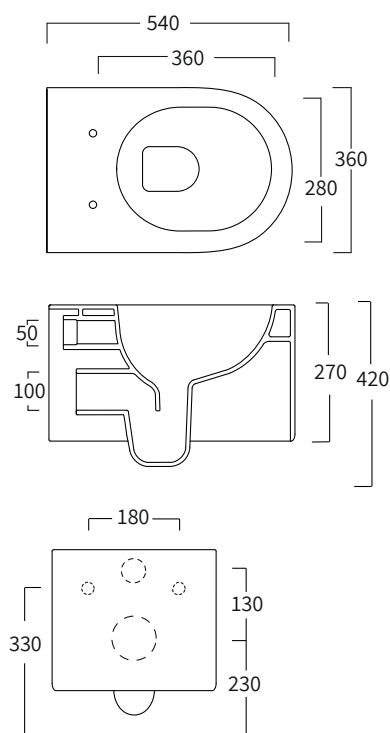
MON003

COLOURS

Gloss White

INCLUSIONS

Complete with soft closing seat and fixings included.



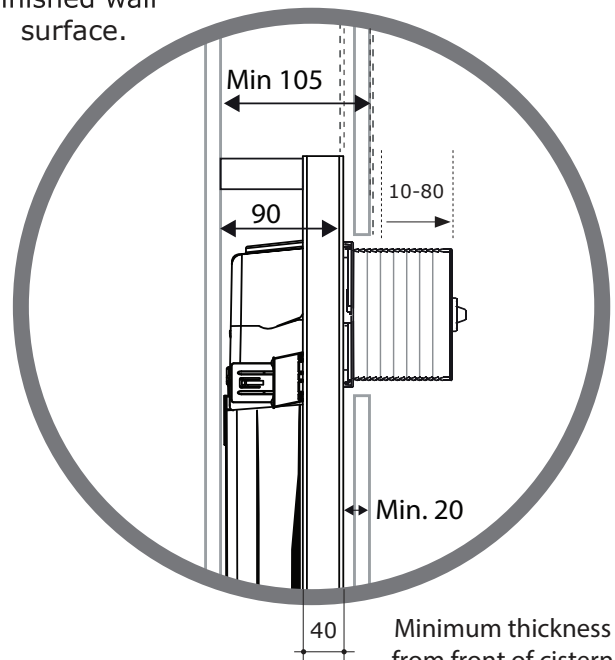


Min. 105 mm from rear of cistern to front edge of finished wall surface.

Min. projection of 10mm - Max. projection of 80mm of tile flange box required prior to trimming to accommodate actuator.

NOTE

See next page for compatible actuators



Minimum thickness from front of cistern to the front face of wall to be at least 20mm

Oli 74

IN-WALL CISTERN WITH FRAME

CODE

601803/MC
(if used with mechanical actuators)

601803/PN
(if used with pneumatic actuators)

WEIGHT

14 kgs

FEATURES

- Front access only
- Dual flush in-wall cistern with 4.5/3 litre flush
- Ultra compact inlet valve
- Painted tubular frame
- 90mm thickness
- Adjustable outlet bend
- Frame tested to 400 kg load
- Height adjustable from 0 to 150 mm
- Stop cock provided
- Brackets for pre-wall fixing
- Protection box supplied for tiling purposes
- 10 Year Warranty
- Manufactured in Europe
- Mechanical actuator kit included

