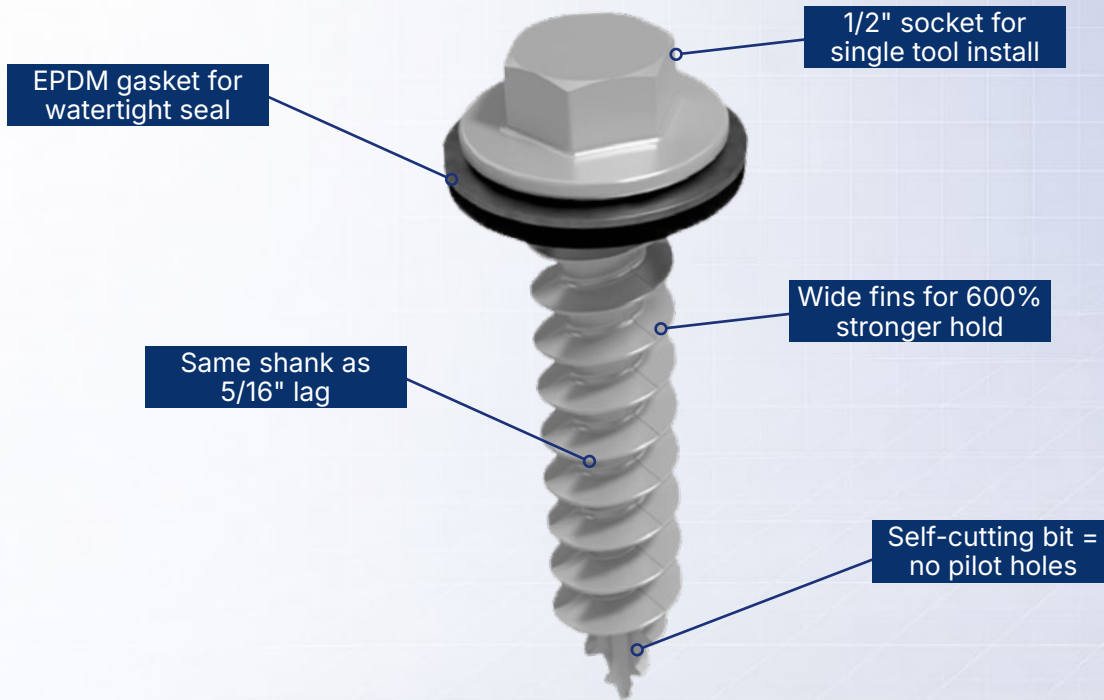


# DECKANCHOR™ 2.5

*The Screw That Does More*



## Quick Specs

SKU	242-10035
Material	Zinc, Steel, EPDM Rubber
Color	Mill
Length	2.82 in
Weight	0.08 lbs
Box QTY	20
Certification	ASTM D1761
Attachment Method	Decking

## Why Installers Choose It

The DeckAnchor Screw is built specifically for roof deck attachment — giving you a faster, more flexible alternative when rafters aren't the best option.

### Fewer Holes

Get the hold you need with fewer penetrations.

### Faster Installs

No pilot holes. Drive it in and move on.

### Stronger Hold

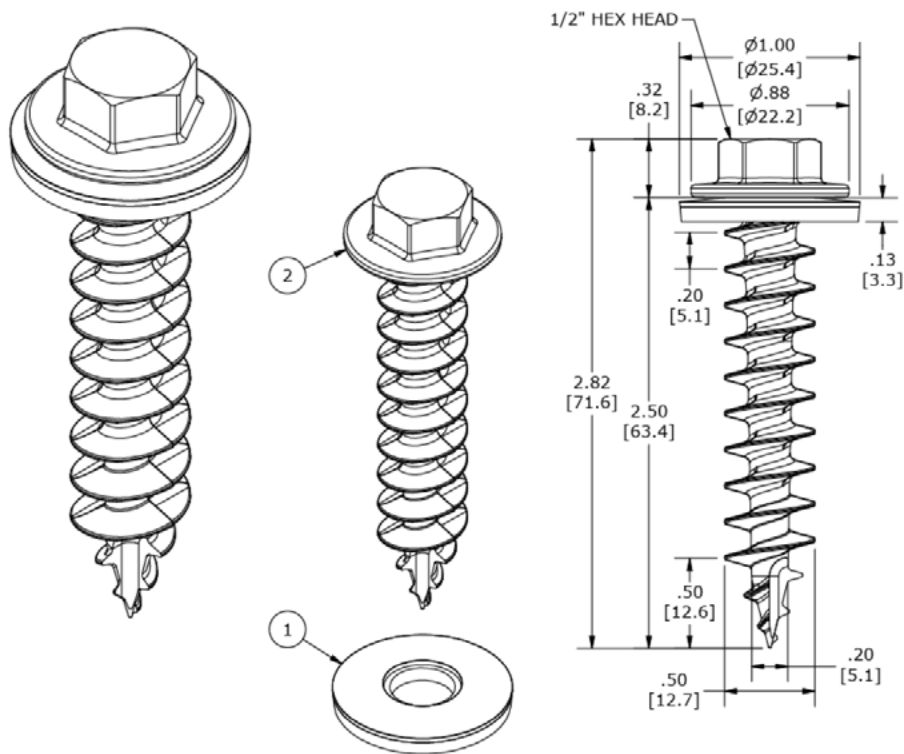
Up to 600% higher torque-out than #14 screws.

### Less Hassle

No spinners. No guesswork. More consistent installs.

# DECKANCHOR™ 2.5

*Fewer holes. Stronger hold.*



ITEM	DESCRIPTION
1	WASHER, METAL BONDED SEALING, FOR 3/8IN SCREW, 1IN OD
2	SNAPRACK, DECKANCHOR, 1/2IN X 2-1/2IN, ZN

## Compatible with

**UltraFoot, Anchor**  
242-10058

**AlphaTrack**  
242-10063



## DECKANCHOR™ 2.5

*Bite that inspires confidence*

Check  
out our  
testimonial  
series on  
YouTube!

