



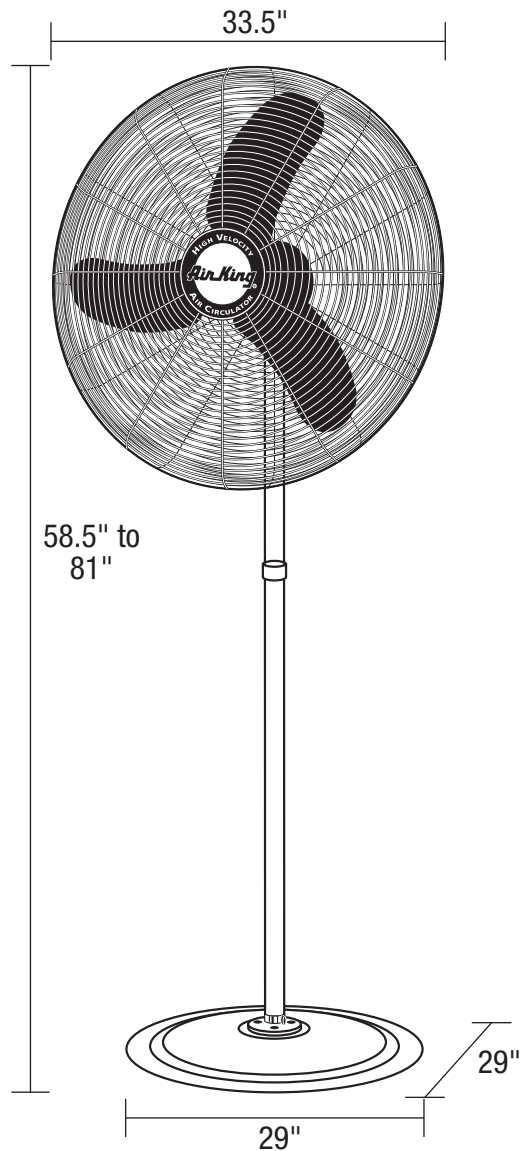
SPECIFICATIONS

**9175**

INDUSTRIAL FANS

**30" Oscillating  
Pedestal Fan**

- **Motor**  
3-speed, 1/3 HP, 120V, 1 phase, totally enclosed, ball bearing, permanently lubricated, permanent split capacitor
- **Controls**  
Rear mounted pull cord switch
- **Power Cord**  
Black, 10', 3-conductor, SJT type
- **Coating**  
Blade, Guard, and Mounts are powder coated steel
- **Compliance**  
ETL, OSHA
- **Height**  
Adjustable from 58.5" to 81"
- **Oscillation**  
90°
- **Product Dimensions**  
33.5"L x 29"W x 81"H
- **Shipping Information**  
UPC: 0-46013-38960-2  
Shipping Weight: 82.6 lbs.



| MODEL       | CFM  |      |      | RPM  |     |     | AMPS |     |     | WATTS |     |     | DB A |     |     |
|-------------|------|------|------|------|-----|-----|------|-----|-----|-------|-----|-----|------|-----|-----|
|             | HIGH | MED  | LOW  | HIGH | MED | LOW | HIGH | MED | LOW | HIGH  | MED | LOW | HIGH | MED | LOW |
| <b>9175</b> | 8780 | 7480 | 5570 | 1075 | 925 | 800 | 2.8  | 2.0 | 1.7 | 308   | 205 | 170 | 72   | 70  | 64  |



**U.S.:** 820 Lincoln Drive  
West Chester, Pennsylvania 19380-4466  
Tel: (610) 692-7400 • 877-304-3785  
Fax: (610) 696-8048