



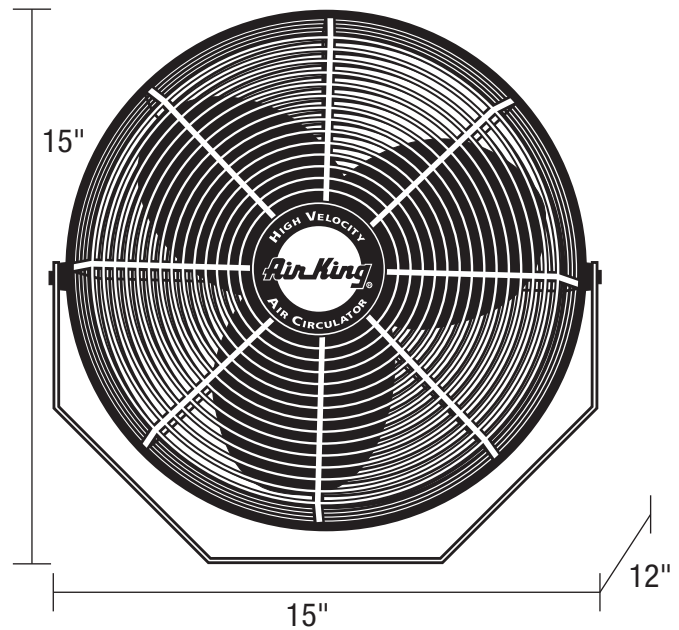
SPECIFICATIONS

**9312**

INDUSTRIAL FANS

**12" Multi Mount Fan**

- **Motor**  
3-speed, 1/25 HP, 120V, 1 phase, open motor, sleeve bearing, permanent split capacitor
- **Controls**  
Rear mounted pull cord switch
- **Power Cord**  
Black, 9', 3-conductor, SJT type
- **Coating**  
Blade, Guard, and Mounts are powder coated steel
- **Compliance**  
ETL, OSHA
- **Product Dimensions**  
15"L x 12"W x 15"H
- **Shipping Information**  
UPC: 0-46013-39460-6  
Shipping Weight: 11.5 lbs.



MODEL	CFM			RPM			AMPS			WATTS			DB A		
	HIGH	MED	LOW	HIGH	MED	LOW	HIGH	MED	LOW	HIGH	MED	LOW	HIGH	MED	LOW
<b>9312</b>	1360	1170	1010	1545	1205	900	0.8	0.6	0.5	85	76	64	56	49	42



**U.S.:** 820 Lincoln Avenue  
West Chester, Pennsylvania 19380-4466  
Tel: (610) 692-7400 • 877-304-3785  
Fax: (610) 696-8048

**Canada:**  
Brampton, Ontario  
Tel: 800-250-8767  
Fax: (905) 456-1015