



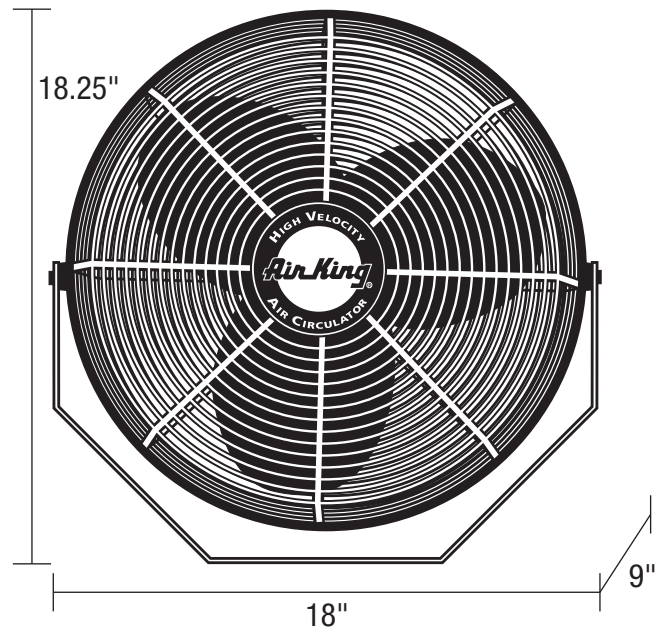
SPECIFICATIONS

9314

INDUSTRIAL FANS

14" Multi Mount Fan

- **Motor**
3-speed, 1/20 HP, 120V, 1 phase, totally enclosed, ball bearing, permanently lubricated, permanent split capacitor
- **Controls**
Rear mounted pull cord switch
- **Power Cord**
Black, 9', 3-conductor, SJT type
- **Coating**
Blade, Guard, and Mounts are powder coated steel
- **Compliance**
ETL, OSHA
- **Product Dimensions**
18"L x 9"W x 18.25"H
- **Shipping Information**
UPC: 0-46013-39720-1
Shipping Weight: 14.3 lbs.



MODEL	CFM			RPM			AMPS			WATTS			DB A		
	HIGH	MED	LOW	HIGH	MED	LOW	HIGH	MED	LOW	HIGH	MED	LOW	HIGH	MED	LOW
9314	1650	1470	1180	1498	1296	934	0.6	0.5	0.4	63	56	48	58	55	48



U.S.: 820 Lincoln Avenue
West Chester, Pennsylvania 19380-4466
Tel: (610) 692-7400 • 877-304-3785
Fax: (610) 696-8048

Canada:
Brampton, Ontario
Tel: 800-250-8767
Fax: (905) 456-1015