

Quick Setup Guide – E – Seria

1 Unbox the monitor and stand.

2 Attach the stand to the back of the monitor.

3 Connect the monitor to the computer system.

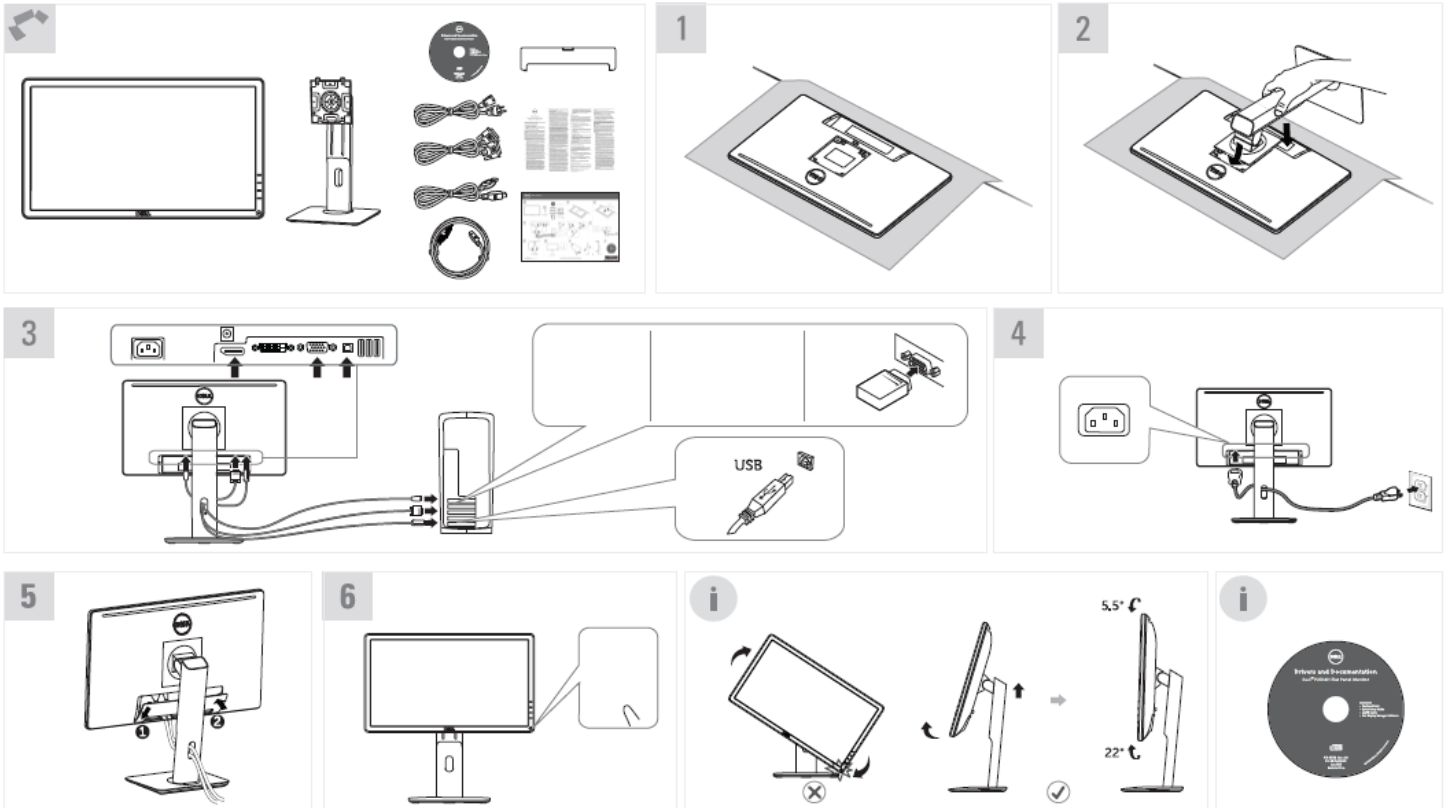
4 Connect the monitor to the power source.

5 Plug the power cord into a wall outlet.

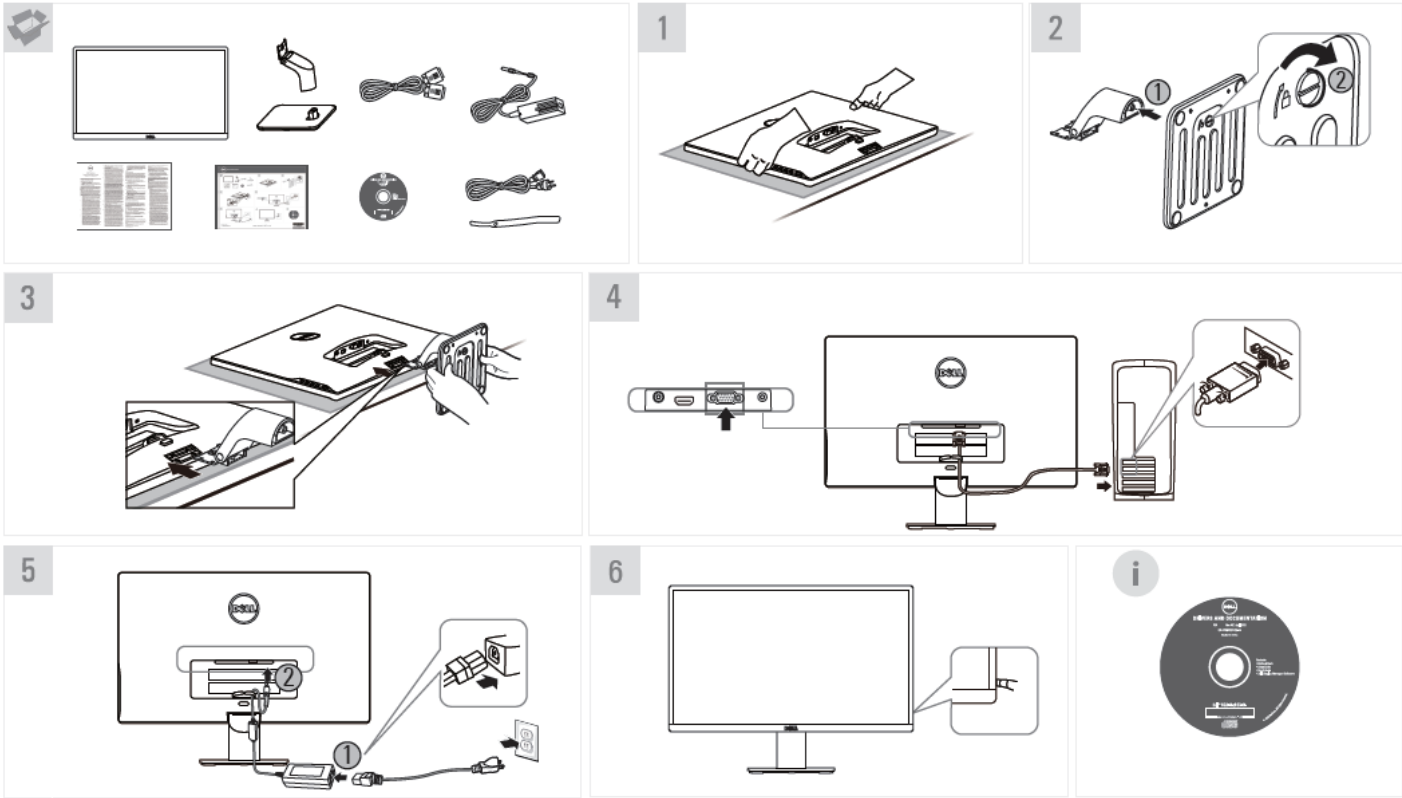
i Adjust the monitor's tilt.

i Use the CD-ROM for software and documentation.

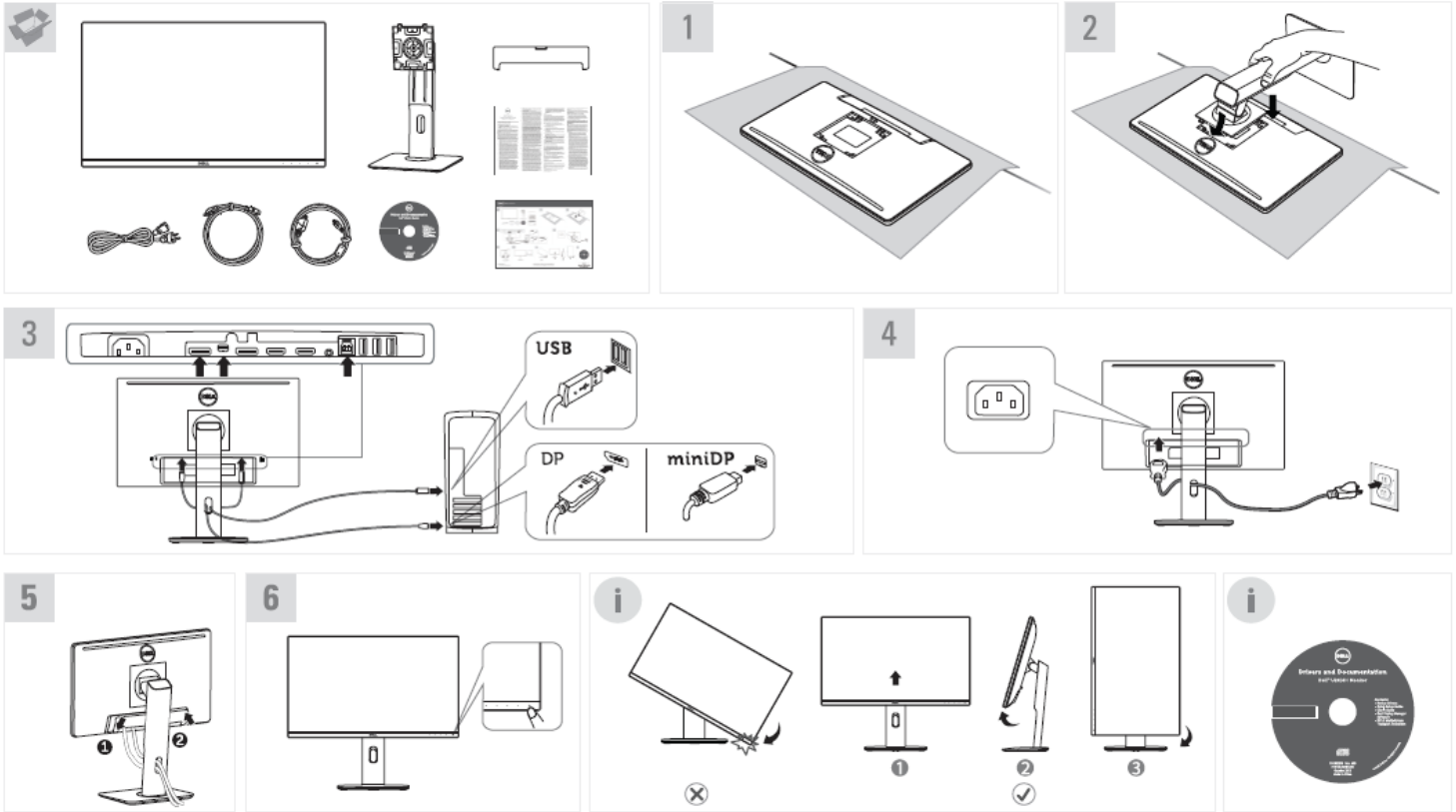
Quick Setup Guide – P – Seria



Quick Setup Guide – S – Seria



Quick Setup Guide – U -Seria



Printed in China.
© 2013 Dell Inc. All rights reserved.

www.dell.com/support/monitors

Barcode
(Dell P/N: P18PF Rev.A00)
P/N: 4J.29D01.001