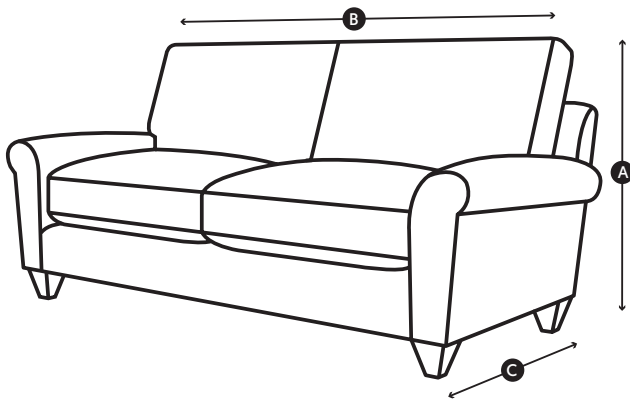


THE LOUNGE CO

A LOT OF LIFE HAPPENS ON YOUR SOFA

MEASURING GUIDE

It's important to check that your new sofa or chair will fit into your home, as inability to access a chosen room is the biggest cause of disappointment when purchasing furniture. Please read our simple measuring guide to ensure we can successfully deliver your sofa.



KNOW YOUR SOFA DIMENSIONS

You can find the height, width and depth and for each sofa on the relevant product page or on our range cards. Note down the dimensions of your chosen sofa here so you can refer to them while you measure up.

A Sofa height:

B Sofa width:

C Sofa depth:

DOORWAYS

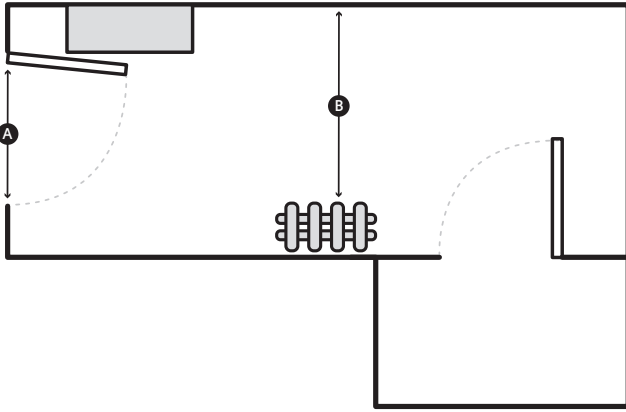
To make sure your new sofa will get through your front door, you'll need to measure the door's height and width. Check that the width of your door is greater than the height of the sofa, allowing a bit of room either side. Remember to measure any other doors that sofa will have to go through.

A Door height:

B Door width:

The legs of our sofas (excluding Lola and Sophia) will be removed for delivery, meaning the total height will actually be slightly less than stated. If you'd like the specific height of the legs on your sofa, please contact us.

NEED SOME HELP? Call 01225 792 333 or email customer@theloungeco.com

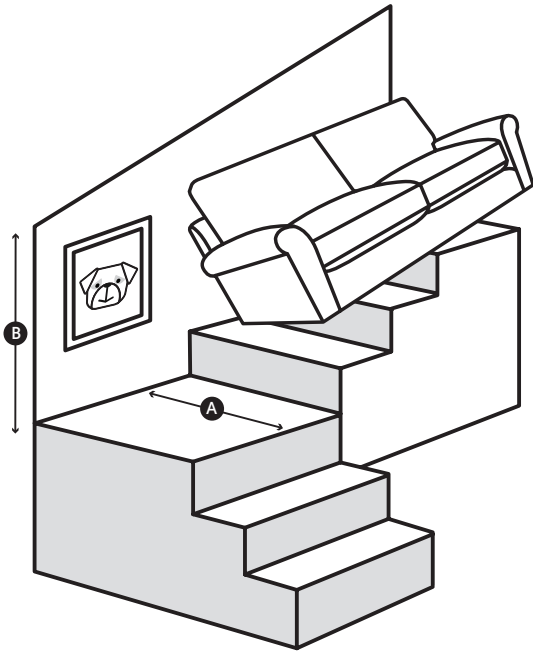


HALLWAYS

Measure from your hallway wall, opposite to the entrance of the chosen room and make sure there's enough room to manoeuvre the sofa into your room of choice. Remember to take account of any radiators, shelves, skirting boards or light fittings that may get in your way. If you've got to get around the corner, measure the space at its narrowest point to make sure the width is greater than the height of your sofa.

A Narrowest door width:

B Narrowest hallway width:



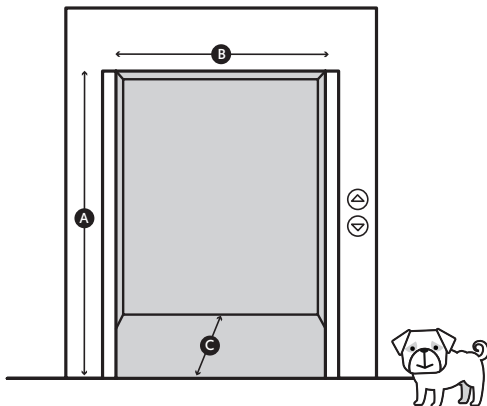
STAIRS

If your sofa needs to go upstairs, measure the width of the staircase at its narrowest point. Don't forget to take any handrails, banisters and light fittings into account also consider the height of the stairwell. If your sofa needs to be lifted over the banister, please make sure that the space between the banister and the ceiling is greater than the depth of your sofa. If your stairs go round a corner, make sure there is enough ceiling height to bring the sofa upright. Distance between the stairs and the ceiling should be greater than the width of your sofa. Once the sofa is up the stairs, make sure there is enough room on the landing to accommodate it.

Please note that our delivery company are only able to carry a sofa up three floors. Any higher than this, then the sofa will need to fit into a lift.

A Narrowest stairs width:

B Landing height:



LIFTS

If your building has a lift that our delivery team will need to use, you'll need to measure the width, height and depth of the lift's interior and the size of its door.

Please note that our delivery company will need to use a lift if the sofa is going higher than three floors.

A Lift height:

B Lift width:

C Lift depth:

NEED SOME HELP? Call 01225 792 333 or email customer@theloungeco.com