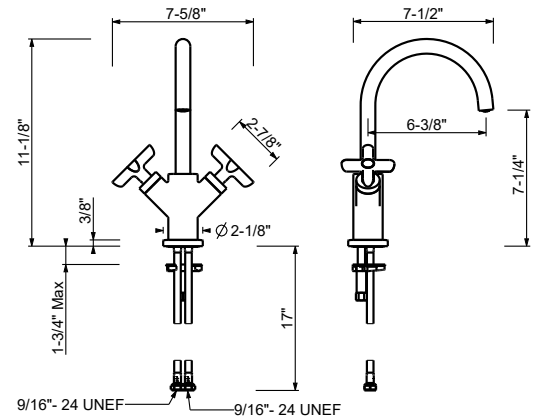


ICONA CLASSIC



ART. R056WU

Single-hole washbasin mixer

- 6 3/8" spout projection
- Flexible supply lines included
- Water flow restricted to 1.2 gpm

Drain not included, please select W095U or W097U in the Miscellaneous Articles section.

Date _____

Project/Comments: _____

Finishes

- | | |
|---|--------------|
| <input type="checkbox"/> Chrome | 53 02 R056WU |
| <input type="checkbox"/> Matte Black | 53 13 R056WU |
| <input type="checkbox"/> Polished Nickel PVD | 53 95 R056WU |
| <input type="checkbox"/> Matte Gun Metal PVD | 53 P5 R056WU |
| <input type="checkbox"/> Matte British Gold PVD | 53 P6 R056WU |
| <input type="checkbox"/> Matte Copper PVD | 53 P9 R056WU |
| <input type="checkbox"/> Deep Black PVD | 53 S1 R056WU |

• Integrated aerator

| Pressure (PSI) | Waterflow (GPM/min) |
|----------------|---------------------|
| 7.25 | 0.69 |
| 14.5 | 0.94 |
| 29 | 1.11 |
| 43.5 | 1.15 |
| 58 | 1.16 |