



ART. V185B+M585A

Built-in shower mixer

- handles
- with plate
- 2-way diverter with turning knob
- 1/2" inlets
- soundproof
- for vertical installation only

Date _____

Project/Comments: _____

External piece

- Chrome 51 02 V185B
- Matt Black 51 13 V185B

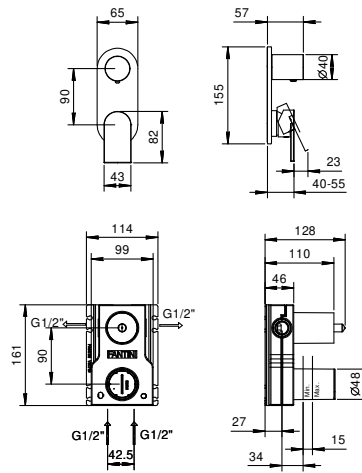
Built-in piece

- 44 00 M585A

TOTAL PRICE

- Chrome 51 02 V185B
- Matt Black 51 13 V185B

ART. V185B+M585A
Built-in shower mixer



Way number 1

Pressure(bar)	Flow rate (l/min)
0.5	8.44
1	11.87
2	16.79
3	20.5
4	23.76

Way number 2

Pressure(bar)	Flow rate (l/min)
0.5	7.45
1	10.47
2	14.59
3	17.9
4	20.7