



## ART. L989B+M587A

### Built-in shower mixer

- handles
- with rosaces
- 3-way diverter with turning knob
- 1/2" inlets
- soundproof
- for vertical installation only

### Date

### Project/Comments:

#### External piece

- |   |             |
|---|-------------|
| <input type="checkbox"/> Chrome                 | 58 02 L989B |
| <input type="checkbox"/> Matt Black             | 58 13 L989B |
| <input type="checkbox"/> Matt Gun Metal PVD     | 58 P5 L989B |
| <input type="checkbox"/> Matt British Gold PVD  | 58 P6 L989B |
| <input type="checkbox"/> Deep Black PVD         | 58 S1 L989B |
| <input type="checkbox"/> Mokka PVD              | 58 S5 L989B |
| <input type="checkbox"/> Brushed Steel Look PVD | 58 92 L989B |

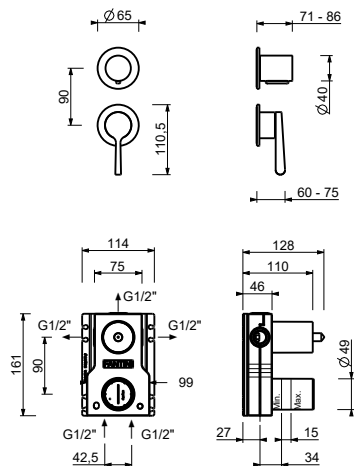
#### Built-in piece

- |                          |             |
|--------------------------|-------------|
| <input type="checkbox"/> | 44 00 M587A |
|--------------------------|-------------|

#### TOTAL PRICE

- |   |             |
|---|-------------|
| <input type="checkbox"/> Chrome                 | 58 02 L989B |
| <input type="checkbox"/> Matt Black             | 58 13 L989B |
| <input type="checkbox"/> Matt Gun Metal PVD     | 58 P5 L989B |
| <input type="checkbox"/> Matt British Gold PVD  | 58 P6 L989B |
| <input type="checkbox"/> Deep Black PVD         | 58 S1 L989B |
| <input type="checkbox"/> Mokka PVD              | 58 S5 L989B |
| <input type="checkbox"/> Brushed Steel Look PVD | 58 92 L989B |

**ART. L989B+M587A**  
Built-in shower mixer



**Way number 1**

Pressure(bar)	Flow rate (l/min)
0.5	9.25
1	12.87
2	18.34
3	22.32
4	25.59

**Way number 2**

Pressure(bar)	Flow rate (l/min)
0.5	7.81
1	10.87
2	15.31
3	18.62
4	21.55

**Way number 3**

Pressure(bar)	Flow rate (l/min)
0.5	8.14
1	11.34
2	15.99
3	19.42
4	22.43