

Art. 1855F

Single-hole sink mixer

- spout projection 17,5 cm
- handle
- turning spout
- flow restrictor 8 l/min at 3 bar
- flexible supply lines
- WITHOUT WASTE

Finishes:

Chrome

42 02 1855F

Project:

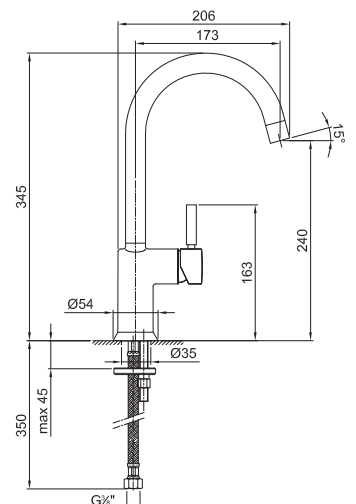
Room:

Date:

Comments:

8 l/min aerator

Pressure (bar)	flow rate (l/min)
0,5	2,5
1	6
2	8,5
3	8,2
4	8,2



Certifications/Awards:

