



## ART. R010B+R010A

### Wall-mount washbasin mixer

- spout projection 15 cm
- handles
- flow restrictor 5 l/min at 3 bar
- 90° ceramic cartridge
- 1/2" inlets
- WITHOUT WASTE

Date \_\_\_\_\_

Project/Comments: \_\_\_\_\_

\_\_\_\_\_

\_\_\_\_\_

\_\_\_\_\_

\_\_\_\_\_

\_\_\_\_\_

\_\_\_\_\_

#### External piece

<input type="checkbox"/> Chrome	53 02 R010B
<input type="checkbox"/> Matt Black	53 13 R010B
<input type="checkbox"/> Polished Nickel PVD	53 95 R010B
<input type="checkbox"/> Matt Gun Metal PVD	53 P5 R010B
<input type="checkbox"/> Matt British Gold PVD	53 P6 R010B
<input type="checkbox"/> Matt Copper PVD	53 P9 R010B
<input type="checkbox"/> Deep Black PVD	53 S1 R010B
<input type="checkbox"/> Mokka PVD	53 S5 R010B
<input type="checkbox"/> Brushed Steel Look PVD	53 92 R010B
<input type="checkbox"/> Pure Brass PVD	53 Q7 R010B
<input type="checkbox"/> Raw Metal PVD	53 Q8 R010B

#### Built-in piece

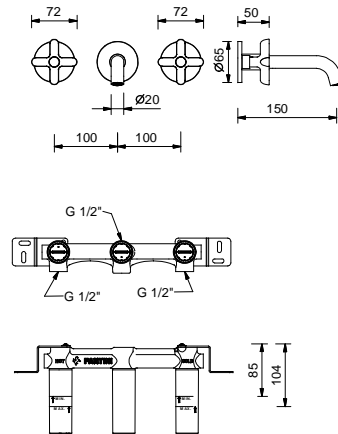
<input type="checkbox"/>	44 00 R010A
--------------------------	-------------

#### TOTAL PRICE

<input type="checkbox"/> Chrome	53 02 R010B
<input type="checkbox"/> Matt Black	53 13 R010B
<input type="checkbox"/> Polished Nickel PVD	53 95 R010B
<input type="checkbox"/> Matt Gun Metal PVD	53 P5 R010B
<input type="checkbox"/> Matt British Gold PVD	53 P6 R010B
<input type="checkbox"/> Matt Copper PVD	53 P9 R010B
<input type="checkbox"/> Deep Black PVD	53 S1 R010B
<input type="checkbox"/> Mokka PVD	53 S5 R010B
<input type="checkbox"/> Brushed Steel Look PVD	53 92 R010B
<input type="checkbox"/> Pure Brass PVD	53 Q7 R010B
<input type="checkbox"/> Raw Metal PVD	53 Q8 R010B

# ICONA CLASSIC

## ART. R010B+R010A Wall-mount washbasin mixer



### • Integrated aerator

Pressure(bar)	Flow rate (l/min)
0.5	3.46
1	4.62
2	5.58
3	5.53
4	5.64