



ART. R013B+R010A

Wandwaschtischmischer

- Achsabstand Auslauf 20 cm
- Griffe
- Wasserdurchflussbegrenzer auf 5 l/min bei 3 bar
- 90° Keramikventil
- 1/2" Eingänge
- OHNE ABLAUF

Datum

Project/Kommentar

AP-Teil

- | | |
|---|-------------|
| <input type="checkbox"/> Chrom | 53 02 R013B |
| <input type="checkbox"/> Schwarz matt | 53 13 R013B |
| <input type="checkbox"/> Polished Nickel PVD | 53 95 R013B |
| <input type="checkbox"/> Matt Gun Metal PVD | 53 P5 R013B |
| <input type="checkbox"/> Matt British Gold PVD | 53 P6 R013B |
| <input type="checkbox"/> Matt Copper PVD | 53 P9 R013B |
| <input type="checkbox"/> Deep Black PVD | 53 S1 R013B |
| <input type="checkbox"/> Mokka PVD | 53 S5 R013B |
| <input type="checkbox"/> Brushed Steel Look PVD | 53 92 R013B |
| <input type="checkbox"/> Pure Brass PVD | 53 Q7 R013B |
| <input type="checkbox"/> Raw Metal PVD | 53 Q8 R013B |

UP-Teil

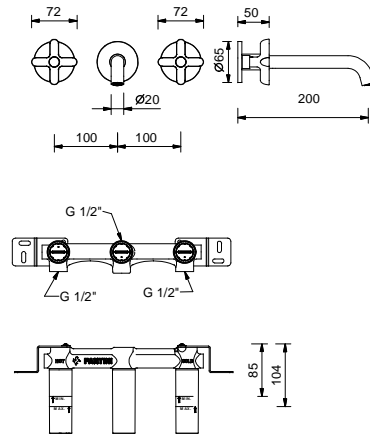
- | | |
|--------------------------|-------------|
| <input type="checkbox"/> | 44 00 R010A |
|--------------------------|-------------|

GESAMTPREIS

- | | |
|---|-------------|
| <input type="checkbox"/> Chrom | 53 02 R013B |
| <input type="checkbox"/> Schwarz matt | 53 13 R013B |
| <input type="checkbox"/> Polished Nickel PVD | 53 95 R013B |
| <input type="checkbox"/> Matt Gun Metal PVD | 53 P5 R013B |
| <input type="checkbox"/> Matt British Gold PVD | 53 P6 R013B |
| <input type="checkbox"/> Matt Copper PVD | 53 P9 R013B |
| <input type="checkbox"/> Deep Black PVD | 53 S1 R013B |
| <input type="checkbox"/> Mokka PVD | 53 S5 R013B |
| <input type="checkbox"/> Brushed Steel Look PVD | 53 92 R013B |
| <input type="checkbox"/> Pure Brass PVD | 53 Q7 R013B |
| <input type="checkbox"/> Raw Metal PVD | 53 Q8 R013B |

ICONA CLASSIC

ART. R013B+R010A
Wandwaschtischmischer



• **Integrated aerator**

Wasserdruck(bar)	Durchfluss (l/min)
0.5	3.47
1	4.63
2	5.58
3	5.53
4	5.64