



ART. R485B+M585A

Built-in shower mixer

- handles
- 2-way diverter with turning knob
- 1/2" inlets
- soundproof
- for vertical installation only

Date _____

Project/Comments: _____

External piece

<input type="checkbox"/> Chrome	53 02 R485B
<input type="checkbox"/> Matt Black	53 13 R485B
<input type="checkbox"/> Polished Nickel PVD	53 95 R485B
<input type="checkbox"/> Matt Gun Metal PVD	53 P5 R485B
<input type="checkbox"/> Matt British Gold PVD	53 P6 R485B
<input type="checkbox"/> Matt Copper PVD	53 P9 R485B
<input type="checkbox"/> Deep Black PVD	53 S1 R485B
<input type="checkbox"/> Mokka PVD	53 S5 R485B
<input type="checkbox"/> Brushed Steel Look PVD	53 92 R485B
<input type="checkbox"/> Pure Brass PVD	53 Q7 R485B
<input type="checkbox"/> Raw Metal PVD	53 Q8 R485B

Built-in piece

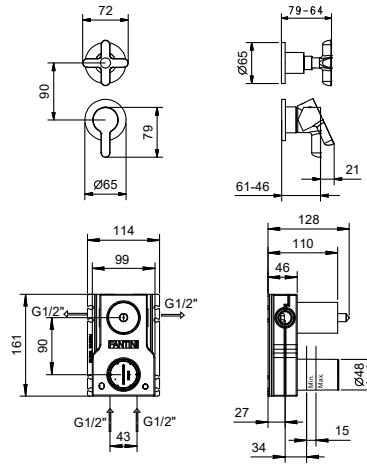
<input type="checkbox"/>	44 00 M585A
--------------------------	-------------

TOTAL PRICE

<input type="checkbox"/> Chrome	53 02 R485B
<input type="checkbox"/> Matt Black	53 13 R485B
<input type="checkbox"/> Polished Nickel PVD	53 95 R485B
<input type="checkbox"/> Matt Gun Metal PVD	53 P5 R485B
<input type="checkbox"/> Matt British Gold PVD	53 P6 R485B
<input type="checkbox"/> Matt Copper PVD	53 P9 R485B
<input type="checkbox"/> Deep Black PVD	53 S1 R485B
<input type="checkbox"/> Mokka PVD	53 S5 R485B
<input type="checkbox"/> Brushed Steel Look PVD	53 92 R485B
<input type="checkbox"/> Pure Brass PVD	53 Q7 R485B
<input type="checkbox"/> Raw Metal PVD	53 Q8 R485B

ICONA CLASSIC

ART. R485B+M585A
Built-in shower mixer



Way number 1

Pressure(bar)	Flow rate (l/min)
0.5	8.44
1	11.87
2	16.79
3	20.5
4	23.76

Way number 2

Pressure(bar)	Flow rate (l/min)
0.5	7.45
1	10.47
2	14.59
3	17.9
4	20.7