



## ART. R485B+M585A

### Mitigeur douche à encastrer

- manettes
- inverseur 2 sorties à rotation
- entrées en 1/2"
- isolation acoustique
- seulement installation verticale

Date \_\_\_\_\_

Projet/Commentaire \_\_\_\_\_  
\_\_\_\_\_  
\_\_\_\_\_  
\_\_\_\_\_  
\_\_\_\_\_  
\_\_\_\_\_

#### Partie externe

- |                                                 |             |
|-------------------------------------------------|-------------|
| <input type="checkbox"/> Chromé                 | 53 02 R485B |
| <input type="checkbox"/> Noir Mat               | 53 13 R485B |
| <input type="checkbox"/> Polished Nickel PVD    | 53 95 R485B |
| <input type="checkbox"/> Matt Gun Metal PVD     | 53 P5 R485B |
| <input type="checkbox"/> Matt British Gold PVD  | 53 P6 R485B |
| <input type="checkbox"/> Matt Copper PVD        | 53 P9 R485B |
| <input type="checkbox"/> Deep Black PVD         | 53 S1 R485B |
| <input type="checkbox"/> Mokka PVD              | 53 S5 R485B |
| <input type="checkbox"/> Brushed Steel Look PVD | 53 92 R485B |
| <input type="checkbox"/> Pure Brass PVD         | 53 Q7 R485B |
| <input type="checkbox"/> Raw Metal PVD          | 53 Q8 R485B |

#### Piece Partie à encastrer

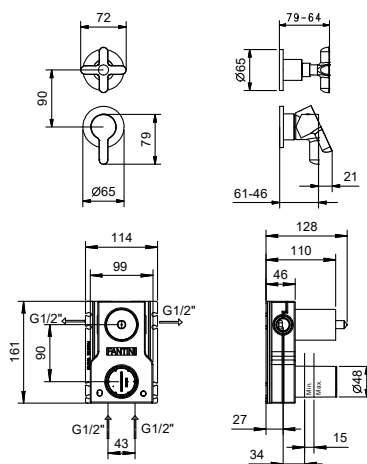
- |                          |             |
|--------------------------|-------------|
| <input type="checkbox"/> | 44 00 M585A |
|--------------------------|-------------|

#### PRIX TOTAL

- |                                                 |             |
|-------------------------------------------------|-------------|
| <input type="checkbox"/> Chromé                 | 53 02 R485B |
| <input type="checkbox"/> Noir Mat               | 53 13 R485B |
| <input type="checkbox"/> Polished Nickel PVD    | 53 95 R485B |
| <input type="checkbox"/> Matt Gun Metal PVD     | 53 P5 R485B |
| <input type="checkbox"/> Matt British Gold PVD  | 53 P6 R485B |
| <input type="checkbox"/> Matt Copper PVD        | 53 P9 R485B |
| <input type="checkbox"/> Deep Black PVD         | 53 S1 R485B |
| <input type="checkbox"/> Mokka PVD              | 53 S5 R485B |
| <input type="checkbox"/> Brushed Steel Look PVD | 53 92 R485B |
| <input type="checkbox"/> Pure Brass PVD         | 53 Q7 R485B |
| <input type="checkbox"/> Raw Metal PVD          | 53 Q8 R485B |

# ICONA CLASSIC

**ART. R485B+M585A**  
**Mitigeur douche à encastrer**



### Sortie 1

Pression(bar)	Débit (l/min)
0.5	8.44
1	11.87
2	16.79
3	20.5
4	23.76

### Sortie 2

Pression(bar)	Débit (l/min)
0.5	7.45
1	10.47
2	14.59
3	17.9
4	20.7