



ART. R485B+M585A

Monomando ducha empotrado

- manetas
- desviador giratorio 2 salidas
- entradas de 1/2"
- aislamiento acústico
- solo para montaje vertical

Fecha

Proyecto/Comentarios

Parte externa

- | | | |
|--------------------------|------------------------|-------------|
| <input type="checkbox"/> | Cromo | 53 02 R485B |
| <input type="checkbox"/> | Negro Opaco | 53 13 R485B |
| <input type="checkbox"/> | Polished Nickel PVD | 53 95 R485B |
| <input type="checkbox"/> | Matt Gun Metal PVD | 53 P5 R485B |
| <input type="checkbox"/> | Matt British Gold PVD | 53 P6 R485B |
| <input type="checkbox"/> | Matt Copper PVD | 53 P9 R485B |
| <input type="checkbox"/> | Deep Black PVD | 53 S1 R485B |
| <input type="checkbox"/> | Mokka PVD | 53 S5 R485B |
| <input type="checkbox"/> | Brushed Steel Look PVD | 53 92 R485B |
| <input type="checkbox"/> | Pure Brass PVD | 53 Q7 R485B |
| <input type="checkbox"/> | Raw Metal PVD | 53 Q8 R485B |

Parte empotrable

- | | |
|--------------------------|-------------|
| <input type="checkbox"/> | 44 00 M585A |
|--------------------------|-------------|

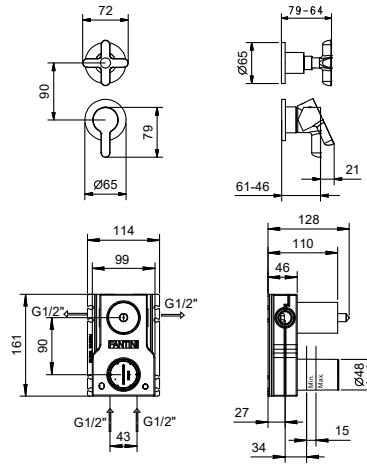
PRECIO TOTAL

- | | | |
|--------------------------|------------------------|-------------|
| <input type="checkbox"/> | Cromo | 53 02 R485B |
| <input type="checkbox"/> | Negro Opaco | 53 13 R485B |
| <input type="checkbox"/> | Polished Nickel PVD | 53 95 R485B |
| <input type="checkbox"/> | Matt Gun Metal PVD | 53 P5 R485B |
| <input type="checkbox"/> | Matt British Gold PVD | 53 P6 R485B |
| <input type="checkbox"/> | Matt Copper PVD | 53 P9 R485B |
| <input type="checkbox"/> | Deep Black PVD | 53 S1 R485B |
| <input type="checkbox"/> | Mokka PVD | 53 S5 R485B |
| <input type="checkbox"/> | Brushed Steel Look PVD | 53 92 R485B |
| <input type="checkbox"/> | Pure Brass PVD | 53 Q7 R485B |
| <input type="checkbox"/> | Raw Metal PVD | 53 Q8 R485B |

ICONA CLASSIC



ART. R485B+M585A
Monomando ducha empotrado



Salida 1

Presión(bar)	Caudal (l/min)
0.5	8.44
1	11.87
2	16.79
3	20.5
4	23.76

Salida 2

Presión(bar)	Caudal (l/min)
0.5	7.45
1	10.47
2	14.59
3	17.9
4	20.7