



## ART. R487B+M587A

### Miscelatore doccia incasso

- maniglie
- deviatore a rotazione a 3 uscite
- ingressi da 1/2"
- isolamento acustico
- solo per montaggio verticale

### Data

---

### Progetto/Note

---



---



---



---



---



---



---

#### Parte esterna

<input type="checkbox"/>	Cromo	53 02 R487B
<input type="checkbox"/>	Nero Opaco	53 13 R487B
<input type="checkbox"/>	Polished Nickel PVD	53 95 R487B
<input type="checkbox"/>	Matt Gun Metal PVD	53 P5 R487B
<input type="checkbox"/>	Matt British Gold PVD	53 P6 R487B
<input type="checkbox"/>	Matt Copper PVD	53 P9 R487B
<input type="checkbox"/>	Deep Black PVD	53 S1 R487B
<input type="checkbox"/>	Mokka PVD	53 S5 R487B
<input type="checkbox"/>	Brushed Steel Look PVD	53 92 R487B
<input type="checkbox"/>	Pure Brass PVD	53 Q7 R487B
<input type="checkbox"/>	Raw Metal PVD	53 Q8 R487B

#### Parte da incasso

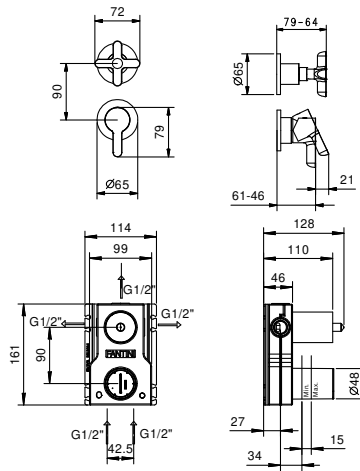
<input type="checkbox"/>	44 00 M587A
--------------------------	-------------

#### Prezzo totale

<input type="checkbox"/>	Cromo	53 02 R487B
<input type="checkbox"/>	Nero Opaco	53 13 R487B
<input type="checkbox"/>	Polished Nickel PVD	53 95 R487B
<input type="checkbox"/>	Matt Gun Metal PVD	53 P5 R487B
<input type="checkbox"/>	Matt British Gold PVD	53 P6 R487B
<input type="checkbox"/>	Matt Copper PVD	53 P9 R487B
<input type="checkbox"/>	Deep Black PVD	53 S1 R487B
<input type="checkbox"/>	Mokka PVD	53 S5 R487B
<input type="checkbox"/>	Brushed Steel Look PVD	53 92 R487B
<input type="checkbox"/>	Pure Brass PVD	53 Q7 R487B
<input type="checkbox"/>	Raw Metal PVD	53 Q8 R487B

# ICONA CLASSIC

**ART. R487B+M587A**  
**Miscelatore doccia incasso**



### USCITA 1

Pressione(bar)	Portata (l/min)
0.5	9.25
1	12.87
2	18.34
3	22.32
4	25.59

### USCITA 2

Pressione(bar)	Portata (l/min)
0.5	7.81
1	10.87
2	15.31
3	18.62
4	21.55

### USCITA 3

Pressione(bar)	Portata (l/min)
0.5	8.14
1	11.34
2	15.99
3	19.42
4	22.43