



ART. R487B+M587A

Built-in shower mixer

- handles
- 3-way diverter with turning knob
- 1/2" inlets
- soundproof
- for vertical installation only

Date _____

Project/Comments: _____

External piece

- | | |
|---|-------------|
| <input type="checkbox"/> Chrome | 53 02 R487B |
| <input type="checkbox"/> Matt Black | 53 13 R487B |
| <input type="checkbox"/> Polished Nickel PVD | 53 95 R487B |
| <input type="checkbox"/> Matt Gun Metal PVD | 53 P5 R487B |
| <input type="checkbox"/> Matt British Gold PVD | 53 P6 R487B |
| <input type="checkbox"/> Matt Copper PVD | 53 P9 R487B |
| <input type="checkbox"/> Deep Black PVD | 53 S1 R487B |
| <input type="checkbox"/> Mokka PVD | 53 S5 R487B |
| <input type="checkbox"/> Brushed Steel Look PVD | 53 92 R487B |
| <input type="checkbox"/> Pure Brass PVD | 53 Q7 R487B |
| <input type="checkbox"/> Raw Metal PVD | 53 Q8 R487B |

Built-in piece

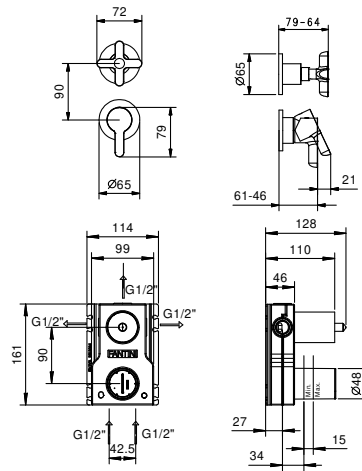
- | | |
|--------------------------|-------------|
| <input type="checkbox"/> | 44 00 M587A |
|--------------------------|-------------|

TOTAL PRICE

- | | |
|---|-------------|
| <input type="checkbox"/> Chrome | 53 02 R487B |
| <input type="checkbox"/> Matt Black | 53 13 R487B |
| <input type="checkbox"/> Polished Nickel PVD | 53 95 R487B |
| <input type="checkbox"/> Matt Gun Metal PVD | 53 P5 R487B |
| <input type="checkbox"/> Matt British Gold PVD | 53 P6 R487B |
| <input type="checkbox"/> Matt Copper PVD | 53 P9 R487B |
| <input type="checkbox"/> Deep Black PVD | 53 S1 R487B |
| <input type="checkbox"/> Mokka PVD | 53 S5 R487B |
| <input type="checkbox"/> Brushed Steel Look PVD | 53 92 R487B |
| <input type="checkbox"/> Pure Brass PVD | 53 Q7 R487B |
| <input type="checkbox"/> Raw Metal PVD | 53 Q8 R487B |

ICONA CLASSIC

ART. R487B+M587A
Built-in shower mixer



Way number 1

Pressure(bar)	Flow rate (l/min)
0.5	9.25
1	12.87
2	18.34
3	22.32
4	25.59

Way number 2

Pressure(bar)	Flow rate (l/min)
0.5	7.81
1	10.87
2	15.31
3	18.62
4	21.55

Way number 3

Pressure(bar)	Flow rate (l/min)
0.5	8.14
1	11.34
2	15.99
3	19.42
4	22.43