



ART. R487B+M587A

Mitigeur douche à encastrer

- manettes
- inverseur 3 sorties à rotation
- entrées en 1/2"
- isolation acoustique
- seulement installation verticale

Date _____

Projet/Commentaire _____

Partie externe

- | | |
|---|-------------|
| <input type="checkbox"/> Chromé | 53 02 R487B |
| <input type="checkbox"/> Noir Mat | 53 13 R487B |
| <input type="checkbox"/> Polished Nickel PVD | 53 95 R487B |
| <input type="checkbox"/> Matt Gun Metal PVD | 53 P5 R487B |
| <input type="checkbox"/> Matt British Gold PVD | 53 P6 R487B |
| <input type="checkbox"/> Matt Copper PVD | 53 P9 R487B |
| <input type="checkbox"/> Deep Black PVD | 53 S1 R487B |
| <input type="checkbox"/> Mokka PVD | 53 S5 R487B |
| <input type="checkbox"/> Brushed Steel Look PVD | 53 92 R487B |
| <input type="checkbox"/> Pure Brass PVD | 53 Q7 R487B |
| <input type="checkbox"/> Raw Metal PVD | 53 Q8 R487B |

PRIX TOTAL

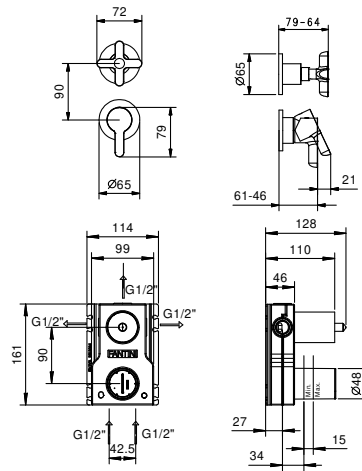
- | | |
|---|-------------|
| <input type="checkbox"/> Chromé | 53 02 R487B |
| <input type="checkbox"/> Noir Mat | 53 13 R487B |
| <input type="checkbox"/> Polished Nickel PVD | 53 95 R487B |
| <input type="checkbox"/> Matt Gun Metal PVD | 53 P5 R487B |
| <input type="checkbox"/> Matt British Gold PVD | 53 P6 R487B |
| <input type="checkbox"/> Matt Copper PVD | 53 P9 R487B |
| <input type="checkbox"/> Deep Black PVD | 53 S1 R487B |
| <input type="checkbox"/> Mokka PVD | 53 S5 R487B |
| <input type="checkbox"/> Brushed Steel Look PVD | 53 92 R487B |
| <input type="checkbox"/> Pure Brass PVD | 53 Q7 R487B |
| <input type="checkbox"/> Raw Metal PVD | 53 Q8 R487B |

Piece Partie à encastrer

- | | |
|--------------------------|-------------|
| <input type="checkbox"/> | 44 00 M587A |
|--------------------------|-------------|

ICONA CLASSIC

ART. R487B+M587A
Mitigeur douche à encastrer



Sortie 1

Pression(bar)	Débit (l/min)
0.5	9.25
1	12.87
2	18.34
3	22.32
4	25.59

Sortie 2

Pression(bar)	Débit (l/min)
0.5	7.81
1	10.87
2	15.31
3	18.62
4	21.55

Sortie 3

Pression(bar)	Débit (l/min)
0.5	8.14
1	11.34
2	15.99
3	19.42
4	22.43