



## ART. R772B+D372A

### Miscelatore termostatico doccia incasso 3/4"

- maniglie
- deviatore a rotazione con chiusura a 2 uscite
- solo per montaggio orizzontale
- ingressi da 3/4"

### Data

---

### Progetto/Note

---



---



---



---



---



---



---

#### Parte esterna

<input type="checkbox"/>	Cromo	53 02 R772B
<input type="checkbox"/>	Nero Opaco	53 13 R772B
<input type="checkbox"/>	Polished Nickel PVD	53 95 R772B
<input type="checkbox"/>	Matt Gun Metal PVD	53 P5 R772B
<input type="checkbox"/>	Matt British Gold PVD	53 P6 R772B
<input type="checkbox"/>	Matt Copper PVD	53 P9 R772B
<input type="checkbox"/>	Deep Black PVD	53 S1 R772B
<input type="checkbox"/>	Mokka PVD	53 S5 R772B
<input type="checkbox"/>	Brushed Steel Look PVD	53 92 R772B
<input type="checkbox"/>	Pure Brass PVD	53 Q7 R772B
<input type="checkbox"/>	Raw Metal PVD	53 Q8 R772B

#### Parte da incasso

<input type="checkbox"/>		19 00 D372A
--------------------------	--	-------------

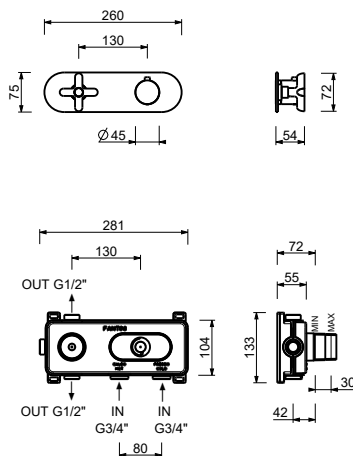
#### Prezzo totale

<input type="checkbox"/>	Cromo	53 02 R772B
<input type="checkbox"/>	Nero Opaco	53 13 R772B
<input type="checkbox"/>	Polished Nickel PVD	53 95 R772B
<input type="checkbox"/>	Matt Gun Metal PVD	53 P5 R772B
<input type="checkbox"/>	Matt British Gold PVD	53 P6 R772B
<input type="checkbox"/>	Matt Copper PVD	53 P9 R772B
<input type="checkbox"/>	Deep Black PVD	53 S1 R772B
<input type="checkbox"/>	Mokka PVD	53 S5 R772B
<input type="checkbox"/>	Brushed Steel Look PVD	53 92 R772B
<input type="checkbox"/>	Pure Brass PVD	53 Q7 R772B
<input type="checkbox"/>	Raw Metal PVD	53 Q8 R772B

# ICONA CLASSIC

**ART. R772B+D372A**

Miscelatore termostatico doccia incasso 3/4"



## USCITA 1

Pressione(bar)	Portata (l/min)
0.5	8.86
1	12.53
2	17.57
3	21.63
4	25.02

## USCITA 2

Pressione(bar)	Portata (l/min)
0.5	7.91
1	11.03
2	15.47
3	19.01
4	21.98