



ART. R772B+D372A

3/4" built-in thermostatic shower mixer

- handles
- 2-way shut-off diverter with turning knob
- for horizontal installation only
- 3/4" inlets

Date _____

Project/Comments: _____

External piece

- | | |
|---|-------------|
| <input type="checkbox"/> Chrome | 53 02 R772B |
| <input type="checkbox"/> Matt Black | 53 13 R772B |
| <input type="checkbox"/> Polished Nickel PVD | 53 95 R772B |
| <input type="checkbox"/> Matt Gun Metal PVD | 53 P5 R772B |
| <input type="checkbox"/> Matt British Gold PVD | 53 P6 R772B |
| <input type="checkbox"/> Matt Copper PVD | 53 P9 R772B |
| <input type="checkbox"/> Deep Black PVD | 53 S1 R772B |
| <input type="checkbox"/> Mokka PVD | 53 S5 R772B |
| <input type="checkbox"/> Brushed Steel Look PVD | 53 92 R772B |
| <input type="checkbox"/> Pure Brass PVD | 53 Q7 R772B |
| <input type="checkbox"/> Raw Metal PVD | 53 Q8 R772B |

Built-in piece

- | | |
|--------------------------|-------------|
| <input type="checkbox"/> | 19 00 D372A |
|--------------------------|-------------|

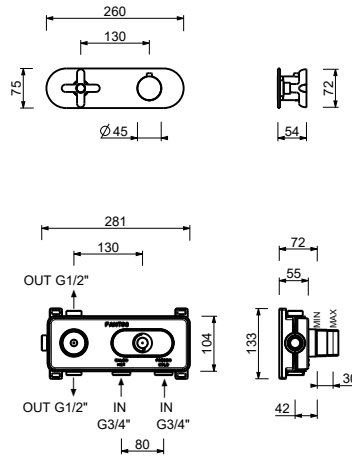
TOTAL PRICE

- | | |
|---|-------------|
| <input type="checkbox"/> Chrome | 53 02 R772B |
| <input type="checkbox"/> Matt Black | 53 13 R772B |
| <input type="checkbox"/> Polished Nickel PVD | 53 95 R772B |
| <input type="checkbox"/> Matt Gun Metal PVD | 53 P5 R772B |
| <input type="checkbox"/> Matt British Gold PVD | 53 P6 R772B |
| <input type="checkbox"/> Matt Copper PVD | 53 P9 R772B |
| <input type="checkbox"/> Deep Black PVD | 53 S1 R772B |
| <input type="checkbox"/> Mokka PVD | 53 S5 R772B |
| <input type="checkbox"/> Brushed Steel Look PVD | 53 92 R772B |
| <input type="checkbox"/> Pure Brass PVD | 53 Q7 R772B |
| <input type="checkbox"/> Raw Metal PVD | 53 Q8 R772B |

ICONA CLASSIC

ART. R772B+D372A

3/4" built-in thermostatic shower mixer



Way number 1

Pressure(bar)	Flow rate (l/min)
0.5	8.86
1	12.53
2	17.57
3	21.63
4	25.02

Way number 2

Pressure(bar)	Flow rate (l/min)
0.5	7.91
1	11.03
2	15.47
3	19.01
4	21.98