

ART. R772B+D372A

3/4" UP-Thermostatbrausemischer

- Griffe
- Drehumsteller 2-Wege mit Absperrung
- nur für horizontale Montage
- 3/4" Eingänge

Datum

Project/Kommentar

AP-Teil

- | | |
|---|-------------|
| <input type="checkbox"/> Chrom | 53 02 R772B |
| <input type="checkbox"/> Schwarz matt | 53 13 R772B |
| <input type="checkbox"/> Polished Nickel PVD | 53 95 R772B |
| <input type="checkbox"/> Matt Gun Metal PVD | 53 P5 R772B |
| <input type="checkbox"/> Matt British Gold PVD | 53 P6 R772B |
| <input type="checkbox"/> Matt Copper PVD | 53 P9 R772B |
| <input type="checkbox"/> Deep Black PVD | 53 S1 R772B |
| <input type="checkbox"/> Mokka PVD | 53 S5 R772B |
| <input type="checkbox"/> Brushed Steel Look PVD | 53 92 R772B |
| <input type="checkbox"/> Pure Brass PVD | 53 Q7 R772B |
| <input type="checkbox"/> Raw Metal PVD | 53 Q8 R772B |

UP-Teil

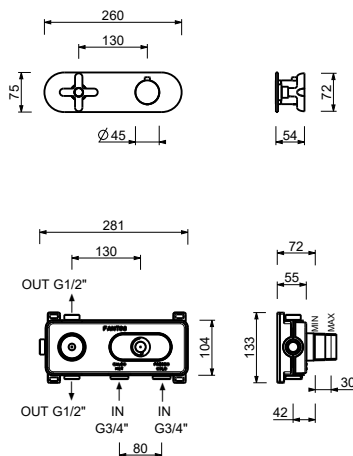
- | | |
|--------------------------|-------------|
| <input type="checkbox"/> | 19 00 D372A |
|--------------------------|-------------|

GESAMTPREIS

- | | |
|---|-------------|
| <input type="checkbox"/> Chrom | 53 02 R772B |
| <input type="checkbox"/> Schwarz matt | 53 13 R772B |
| <input type="checkbox"/> Polished Nickel PVD | 53 95 R772B |
| <input type="checkbox"/> Matt Gun Metal PVD | 53 P5 R772B |
| <input type="checkbox"/> Matt British Gold PVD | 53 P6 R772B |
| <input type="checkbox"/> Matt Copper PVD | 53 P9 R772B |
| <input type="checkbox"/> Deep Black PVD | 53 S1 R772B |
| <input type="checkbox"/> Mokka PVD | 53 S5 R772B |
| <input type="checkbox"/> Brushed Steel Look PVD | 53 92 R772B |
| <input type="checkbox"/> Pure Brass PVD | 53 Q7 R772B |
| <input type="checkbox"/> Raw Metal PVD | 53 Q8 R772B |

ICONA CLASSIC

ART. R772B+D372A
3/4" UP-Thermostatbrausemischer



Abgang Nummer 1

Wasserdruck(bar)	Durchfluss (l/min)
0.5	8.86
1	12.53
2	17.57
3	21.63
4	25.02

Abgang Nummer 2

Wasserdruck(bar)	Durchfluss (l/min)
0.5	7.91
1	11.03
2	15.47
3	19.01
4	21.98