



ART. R773B+D373A

Monomando termostático ducha empotrado 3/4"

- manetas
- desviador giratorio con cierre 3 salidas
- solo para montaje horizontal
- entradas de 3/4"

Fecha

Proyecto/Comentarios

Parte externa

- | | | |
|--------------------------|------------------------|-------------|
| <input type="checkbox"/> | Cromo | 53 02 R773B |
| <input type="checkbox"/> | Negro Opaco | 53 13 R773B |
| <input type="checkbox"/> | Polished Nickel PVD | 53 95 R773B |
| <input type="checkbox"/> | Matt Gun Metal PVD | 53 P5 R773B |
| <input type="checkbox"/> | Matt British Gold PVD | 53 P6 R773B |
| <input type="checkbox"/> | Matt Copper PVD | 53 P9 R773B |
| <input type="checkbox"/> | Deep Black PVD | 53 S1 R773B |
| <input type="checkbox"/> | Mokka PVD | 53 S5 R773B |
| <input type="checkbox"/> | Brushed Steel Look PVD | 53 92 R773B |
| <input type="checkbox"/> | Pure Brass PVD | 53 Q7 R773B |
| <input type="checkbox"/> | Raw Metal PVD | 53 Q8 R773B |

Parte empotrable

- | | | |
|--------------------------|--|-------------|
| <input type="checkbox"/> | | 19 00 D373A |
|--------------------------|--|-------------|

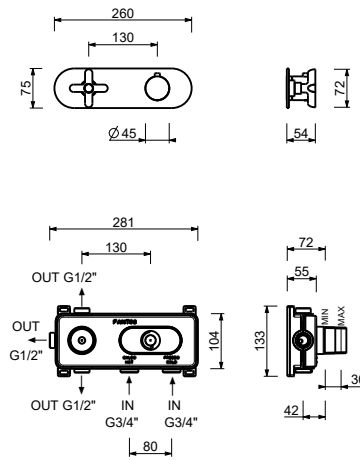
PRECIO TOTAL

- | | | |
|--------------------------|------------------------|-------------|
| <input type="checkbox"/> | Cromo | 53 02 R773B |
| <input type="checkbox"/> | Negro Opaco | 53 13 R773B |
| <input type="checkbox"/> | Polished Nickel PVD | 53 95 R773B |
| <input type="checkbox"/> | Matt Gun Metal PVD | 53 P5 R773B |
| <input type="checkbox"/> | Matt British Gold PVD | 53 P6 R773B |
| <input type="checkbox"/> | Matt Copper PVD | 53 P9 R773B |
| <input type="checkbox"/> | Deep Black PVD | 53 S1 R773B |
| <input type="checkbox"/> | Mokka PVD | 53 S5 R773B |
| <input type="checkbox"/> | Brushed Steel Look PVD | 53 92 R773B |
| <input type="checkbox"/> | Pure Brass PVD | 53 Q7 R773B |
| <input type="checkbox"/> | Raw Metal PVD | 53 Q8 R773B |

ICONA CLASSIC

ART. R773B+D373A

Monomando termostático ducha empotrado 3/4"



Salida 1

Presión(bar)	Caudal (l/min)
0.5	8.86
1	12.53
2	17.57
3	21.63
4	25.02

Salida 2

Presión(bar)	Caudal (l/min)
0.5	7.91
1	11.03
2	15.47
3	19.01
4	21.98

Salida 3

Presión(bar)	Caudal (l/min)
0.5	7.6
1	10.79
2	15.43
3	18.87
4	21.91