



ART. R423B+M523A

Miscelatore termostatico doccia incasso 1/2"

- maniglie
- con rosoni
- deviatore a rotazione a 2 uscite
- ingressi da 1/2"
- isolamento acustico
- solo per montaggio verticale

Data

Progetto/Note

Parte esterna

<input type="checkbox"/>	Cromo	53 02 R423B
<input type="checkbox"/>	Nero Opaco	53 13 R423B
<input type="checkbox"/>	Polished Nickel PVD	53 95 R423B
<input type="checkbox"/>	Matt Gun Metal PVD	53 P5 R423B
<input type="checkbox"/>	Matt British Gold PVD	53 P6 R423B
<input type="checkbox"/>	Matt Copper PVD	53 P9 R423B
<input type="checkbox"/>	Deep Black PVD	53 S1 R423B
<input type="checkbox"/>	Mokka PVD	53 S5 R423B
<input type="checkbox"/>	Brushed Steel Look PVD	53 92 R423B
<input type="checkbox"/>	Pure Brass PVD	53 Q7 R423B
<input type="checkbox"/>	Raw Metal PVD	53 Q8 R423B

Prezzo totale

<input type="checkbox"/>	Cromo	53 02 R423B
<input type="checkbox"/>	Nero Opaco	53 13 R423B
<input type="checkbox"/>	Polished Nickel PVD	53 95 R423B
<input type="checkbox"/>	Matt Gun Metal PVD	53 P5 R423B
<input type="checkbox"/>	Matt British Gold PVD	53 P6 R423B
<input type="checkbox"/>	Matt Copper PVD	53 P9 R423B
<input type="checkbox"/>	Deep Black PVD	53 S1 R423B
<input type="checkbox"/>	Mokka PVD	53 S5 R423B
<input type="checkbox"/>	Brushed Steel Look PVD	53 92 R423B
<input type="checkbox"/>	Pure Brass PVD	53 Q7 R423B
<input type="checkbox"/>	Raw Metal PVD	53 Q8 R423B

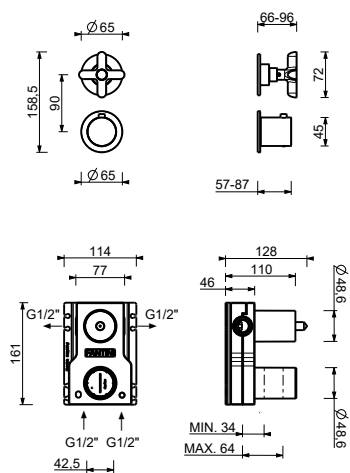
Parte da incasso

<input type="checkbox"/>	44 00 M523A
--------------------------	-------------

ICONA CLASSIC

ART. R423B+M523A

Miscelatore termostatico doccia incasso 1/2"



USCITA 1

Pressione(bar)	Portata (l/min)
0.5	8.44
1	11.87
2	16.79
3	20.5
4	23.76

USCITA 2

Pressione(bar)	Portata (l/min)
0.5	7.45
1	10.47
2	14.59
3	17.9
4	20.7